

Overview

Each Tube has four adjustable guide rods to enable it to take various size plates for 8"-12" (205mm-305mm) diameter with a maximum capacity of around 65 plates per tube. The dispensers have a Pop-Up variable spring system to accommodate different weights of plates. Lift off top plate and the next one automatically moves up into position. Heated units complete with Impact resistant ABS covers. The heated models temperature is controlled by an internal thermostat with surface level illuminated on/off switch for easy operation. Heated units are also supplied with a moulded 13 amp plug & 2 metre cord for easy installation. [13A 230V]



Note:

Low height models are available set at 800mm high. Ideal for children up to 12 years. These low height models have a "B" added to the model code.

Key Features:

- Interior finished in clinical bright polished stainless steel.
- Capacity approximately 65 plates per tube depending on type, profile and thickness.
- Simplistic easy adjustable springs allows repeated pop up plate presentation.
- 24/7 operation.
- Self-contained unit.
- Easily adjustable plate guides, no tools required.
- Mobile all swivel castors two with brakes.

Heated models

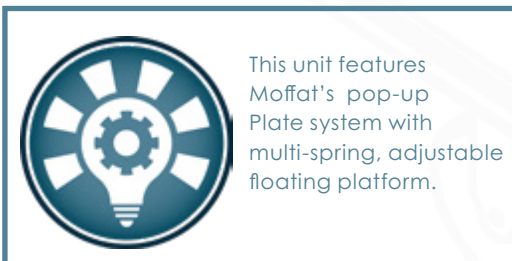
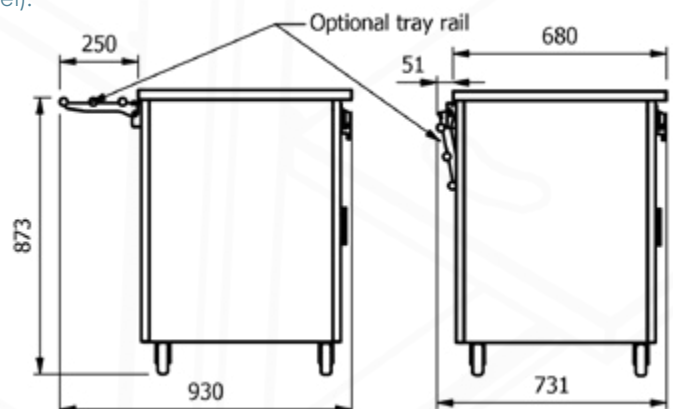
- With well proven elements provide evenly distributed heat.
- Factory set thermostat controls internal air at 60° C.
- Complete with ABS lid.
- Supplied with a 2-metre-long cord set with moulded 13 amp plug for easy installation.

Options:

- Wide choice of coloured outer panels (Durable plastic coated steel).
- Fold down solid tray slide or tubular tray rail.
- ABS lid for VC2PDA model

Optional solid tray slide
Matching size VC2TS

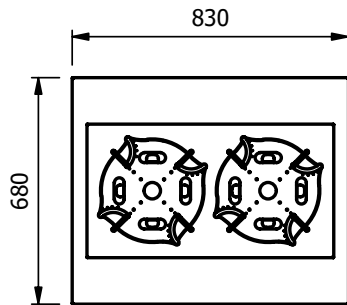
Optional tubular tray rail
Matching size VC2TR



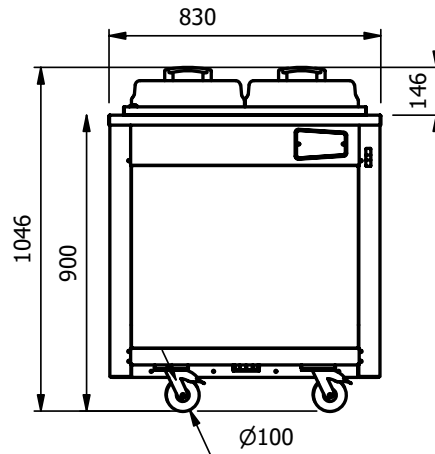
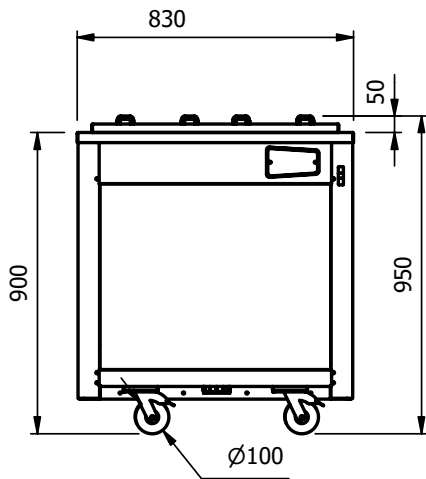
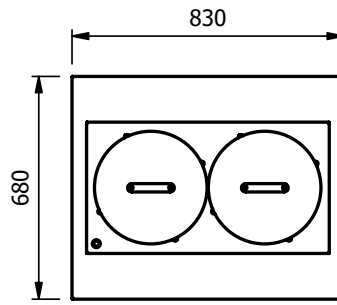


Model	Capacity	Weight (kg)	L x W x H (mm)	Height above top (mm)	Electrical Supply	Power Rating (kw)
VC2PDH	2 x 65	58	830 x 680 x 1046	146	13amp	1.2
VC2PDA	2 x 65	57	830 x 680 x 950	50	N/A	N/A

VC2PDA



VC2PDH



E&R Moffat Ltd.
Bonnybridge
FK4 2BS
Scotland

Find us on:



www.ermoffat.co.uk
+44 (0) 1324 812272
sales@ermoffat.co.uk