

Overview

Size 2 module with twin sanitising dispensers and storage cupboard under. Touchless automatic hand sanitizer dispenser machines are high volume 1000 ml. The fully automatic hand sanitiser dispenser is battery operated removing the requirement to touch the dispenser, simply place your hand under the dispenser and a measured dose of gel, liquid soap or sanitiser will be dispensed. The dispenser can contain liquid soap, anti-bacterial gel, or 70% alcohol hand sanitizer.



Note:

Low height models are available set at 800mm high. Ideal for children up to 12 years. These low height models have a "B" added to the model code.

Key Features:

- Practical automatic operation.
- Designed to be topped up during usage.
- 800 doses of antibacterial hand sanitiser per reservoir.
- Bulk fill design to allow the dispenser to be topped up avoiding unnecessary consumable wastage.
- Ideal for areas where soap and water aren't available, the hand sanitiser dispenser offers an easy and effective hand sanitising option.
- Mobile all swivel castors two with brakes.

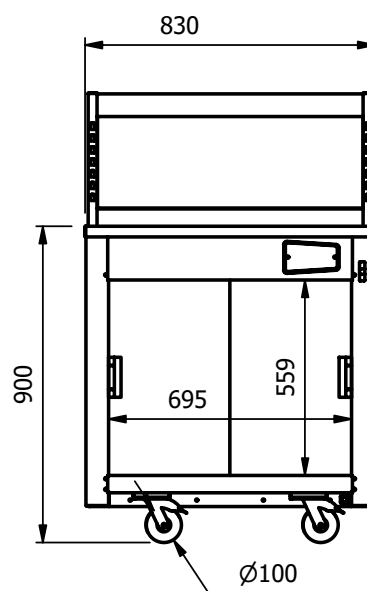
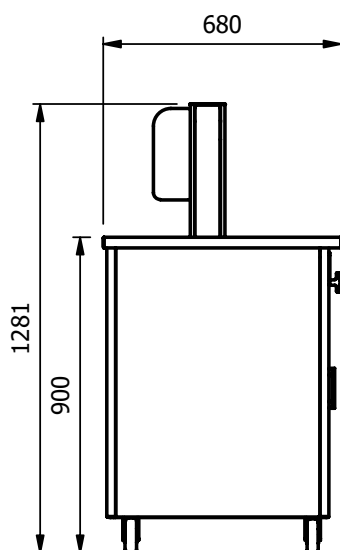
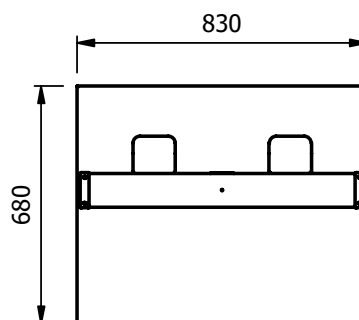
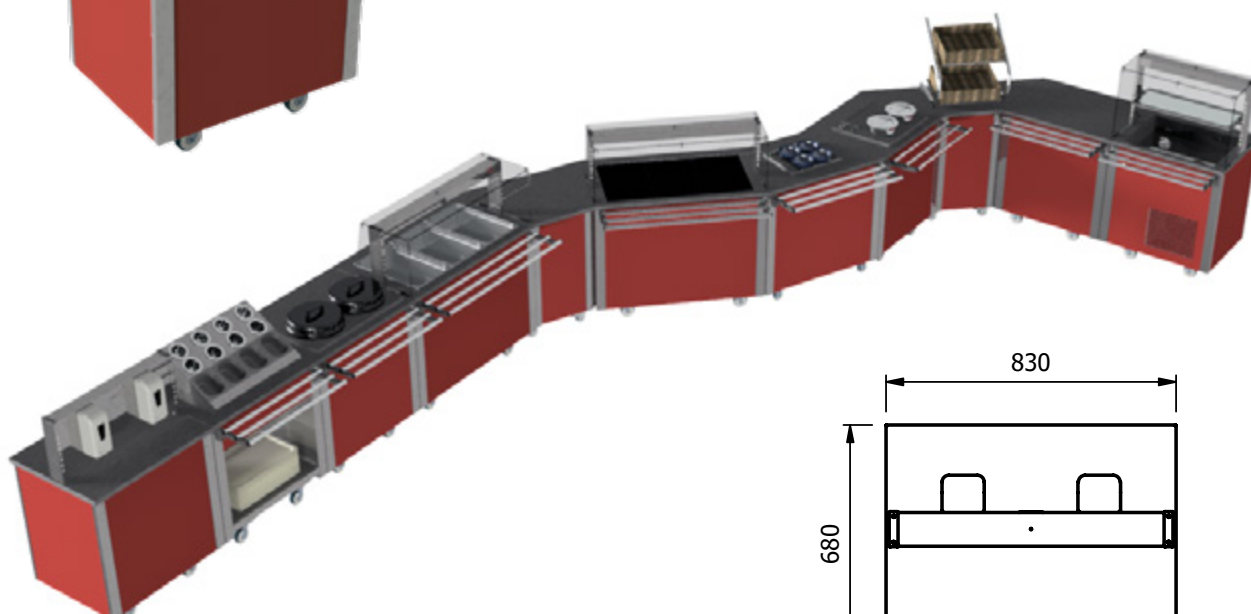
Options:

- Wide choice of coloured outer panels (Durable plastic-coated steel).
- Fold down solid tray slide or tubular tray rail.





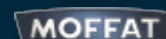
Model	Capacity	Weight (kg)	L x W x H (mm)
VC2SD	2 x 1000ml	30	830 x 680 x 1281



MADE IN BRITAIN

E&R Moffat Ltd.
Bonnybridge
FK4 2BS
Scotland

Find us on:



1963 - 2018

www.ermoffat.co.uk
+44 (0) 1324 812272
sales@ermoffat.co.uk