

Technical data sheet for
**GAS TARGET TOP CONVECTION
 OVEN RANGE 900mm**

G576

- Heavy-duty cast iron top with removable centre ring
- Matched modular height machined top for seamless work surface
- High output dual ring cast iron burner
- GN 2/1 gas convection oven
- Drop down door
- Rear rollers
- Stainless steel exterior
- Easy clean
- Easy service
- Fully modular



G576

Overall Construction

- Galvanized steel chassis
- Welded hob surround with 1.5mm stainless steel bull nose
- Hob sides 1.2mm stainless steel
- Splashback 1.2mm stainless steel
- Front panels and oven sides 0.9mm stainless steel
- Enamelled hob control panel
- 63mm dia. heavy-duty 1.2mm stainless steel adjustable legs at front and two rollers at rear

Target top

- 3 piece heavy-duty cast iron top with fully machined surface
- Top plates and removable centre with integral spill protection design
- Cast top reinforced with integral heat fins for heat zone definition
- 12.5kW dual ring cast iron burner with single control
- Full pilot and flame failure protection
- 50mm thick refractory brick lined burner box for high heat retention
- 2 stainless steel spill trays
- Supplied with heavy-duty centre casting removal tool

Oven

- Fully welded and enamelled oven liner
- GN 2/1 capacity with 4 position racking
- Heavy-duty easy remove heavy wire chrome rack supports
- Cast iron even heat oven sole plate
- 9kW oven burner
- Pilot and flame failure with piezo ignition
- 100W heavy duty motor
- 200mm diameter heavy-duty circulation fan
- Drop down door
- 0.9mm stainless steel door outer
- 1.0mm enamelled door inner
- High density fibreglass insulated
- Supplied with two chrome wire oven racks

Controls

- Large easy use control knobs - heat resistant reinforced
- Easy view control settings on knobs

Target top

- Variable high to low burner control
- Single control knob for burner and pilot system
- Flame failure pilot burner
- Manual pilot ignition for reliable operation

Oven

- 50-320°C thermostatic control
- Indicator lights for power and heating
- Piezo ignition to pilot burner
- Flame failure
- Fan and burner automatic off when doors open

Cleaning and Servicing

- Removable oven racking and sole plate
- Easy clean enamelled oven and door inner
- Easy clean stainless steel exterior
- Target Top fully serviceable from front of unit
- Bottom sill removable for burner and pilot access
- Access to all parts from front of unit

Technical data sheet for GAS TARGET TOP GAS CONVECTION OVEN RANGE 900mm

Specifications

Burners

12.5kW dual ring cast iron - Target Top
9kW tubular - Oven

Gas power (gross)

21.5kW, 72,500 Btu/hr

Oven Fan Motor

100W

Electrical requirements

230-240Vac, 50/60hz, 1P+N+E, 0.13kW, 0.6A
3 pin 13A plug cordset fitted

Target Top

Cooking surface 900mm x 625mm, 5625cm²
Centre 280mm diameter

Oven Dimensions

Width 665mm
Depth 590mm
Height 385mm
Rack size 660mm x 540mm
Rack positions 4

Gas connection

R ³/₄ (BSP) male
Optional underside connection, please specify
when ordering
All units supplied with Natural and LP gas
regulator

Dimensions

Width 900mm
Depth 812mm
Height 915mm
Incl. splashback 1085mm

Nett weight

264kg

Packing data

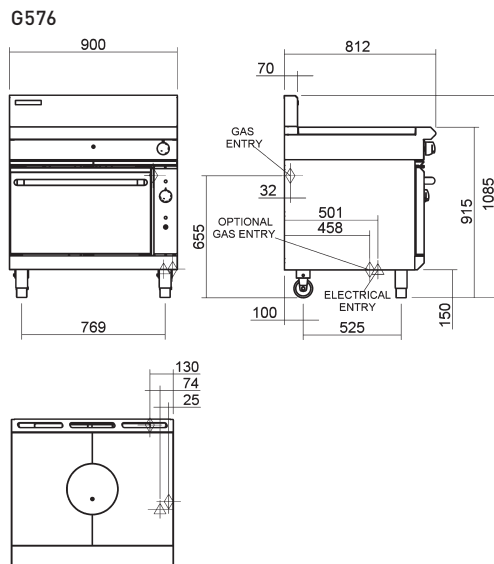
1.03m³
Width 945mm
Depth 870mm
Height 1255mm

Gas types

Available in Natural gas and LP gas, please specify
when ordering
Units supplied complete with gas type
conversion kits

Options

Adjustable feet at rear
Joining caps
Castors



BLUE SEAL

www.blue-seal.co.uk
www.bluesealevolution.com

United Kingdom

Blue Seal Limited

Unit 67
Gravelly Business Park
Gravelly
Birmingham B24 8TQ
England
Telephone 0121-327 5575
Facsimile 0121-327 9711
Email sales@blue-seal.co.uk
www.blue-seal.co.uk

Australia

Moffat Pty Limited

740 Springvale Rd
Mulgrave
Victoria 3170
Australia
Telephone 03-9518 3888
Facsimile 03-9518 3833
Email vsales@moffat.com.au
www.moffat.com.au

New Zealand

Moffat Limited

16 Osborne St
PO Box 10-001
Christchurch 8011
New Zealand
Telephone 03-389 1007
Facsimile 03-389 1276
Email sales@moffat.co.nz
www.moffat.co.nz



ISO9001
Quality
Management
Standard

Designed and manufactured by

MOFFAT

ISO9001

All Blue Seal products are designed and manufactured by Moffat using the internationally recognised ISO9001 quality management system, covering design, manufacture and final inspection, ensuring consistent high quality at all times.



In line with policy to continually develop and improve its products, Moffat Limited reserves the right to change specifications and design without notice.