

Technical data sheet for

GAS TARGET TOP / ELECTRIC CONVECTION OVEN RANGE 900mm

GE576

- Heavy-duty cast iron top with removable centre ring
- Matched modular height machined top for seamless work surface
- High output dual ring cast iron burner
- GN 2/1 6.6kW electric convection oven
- Drop down door
- Rear rollers
- Stainless steel exterior
- Easy clean
- Easy service
- Fully modular



GE576

Overall Construction

- Galvanized steel chassis
- Welded hob surround with 1.5mm stainless steel bull nose
- Hob sides 1.2mm stainless steel
- Splashback 1.2mm stainless steel
- Front panels and oven sides 0.9mm stainless steel
- Enamelled hob control panel
- 63mm dia. heavy-duty 1.2mm stainless steel adjustable legs at front and two rollers at rear

Target Top

- 3 piece heavy-duty cast iron top with fully machined surface
- Top plates and removable centre with integral spill protection design
- Cast top reinforced with integral heat fins for heat zone definition
- 12.5kW dual ring cast iron burner with single control
- Full pilot and flame failure protection
- 50mm thick refractory brick lined burner box for high heat retention
- 2 stainless steel spill trays
- Supplied with heavy-duty centre casting removal tool

Oven

- Fully welded and enamelled oven liner
- GN 2/1 capacity with 4 position racking
- Heavy-duty easy remove heavy wire chrome rack supports
- Cast iron even heat oven sole plate
- 6.5kW heating elements
- 100W heavy-duty motor
- 200mm diameter heavy-duty circulation fan
- Drop down door
- 0.9mm stainless steel door outer
- 1.0mm enamelled door inner
- High density fibreglass insulated
- Supplied with two chrome wire oven racks

Controls

- Large easy use control knobs - heat resistant reinforced
- Easy view control settings on knobs

Target top

- Variable high to low burner control
- Single control knob for burner and pilot system
- Flame failure pilot burner
- Manual pilot ignition for reliable operation

Oven

- 50-320°C thermostatic control
- Indicator lights for power and heating
- Fan and elements automatic off when doors open

Cleaning and Servicing

- Removable oven racking and sole plate
- Easy clean enamelled oven and door inner
- Easy clean stainless steel exterior
- Access to all parts from front of unit

Technical data sheet for GAS TARGET TOP / ELECTRIC CONVECTION OVEN RANGE 900mm

Specifications

Burners

12.5kW dual ring cast iron - Target Top

Oven Elements

4.5kW bottom heat element

2.0kW top heat element

Oven Fan Motor

100W

Gas power (gross)

12.5kW, 42,700 Btu/hr

Electrical requirements

6.6kW

1 phase connection:

230-240Vac, 50/60hz, 1P+N+E, 27.7A

3 phase connection:

400-415Vac, 50/60hz, 3P+N+E

L1 9.4A

L2 9.4A

L3 9.0A

Target Top

Cooking surface 900mm x 625mm, 5625cm²

Centre 280mm diameter

Oven Dimensions

Width 665mm

Depth 812mm

Height 915mm

Rack size 660mm x 540mm

Rack positions 4

Gas connection

R 3/4 (BSP) male

Optional underside connection, please specify when ordering

All units supplied with Natural and LP gas regulator

Dimensions

Width 900mm

Depth 812mm

Height 915mm

Incl. splashback 1085mm

Nett weight

279kg

Packing data

1.03m³, 345kg

Width 945mm

Depth 870mm

Height 1255mm

Gas types

Available in Natural gas and LP gas, please specify when ordering

Units supplied complete with gas type conversion kits

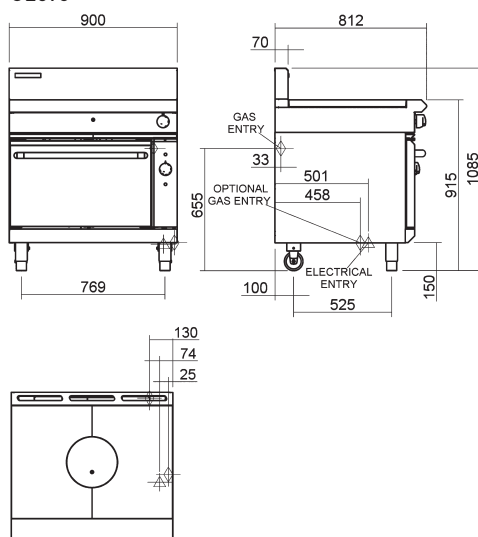
Options

Adjustable feet at rear

Joining caps

Castors

GE576



BLUE SEAL

www.blue-seal.co.uk

www.bluesealevolution.com

United Kingdom

Blue Seal Limited

Unit 67

Gravelly Business Park

Gravelly

Birmingham B24 8TQ

England

Telephone 0121-327 5575

Facsimile 0121-327 9711

Email sales@blue-seal.co.uk

www.blue-seal.co.uk

Australia

Moffat Pty Limited

740 Springvale Rd

Mulgrave

Victoria 3170

Australia

Telephone 03-9518 3888

Facsimile 03-9518 3833

Email vsales@moffat.com.au

www.moffat.com.au

New Zealand

Moffat Limited

16 Osborne St

PO Box 10-001

Christchurch 8011

New Zealand

Telephone 03-389 1007

Facsimile 03-389 1276

Email sales@moffat.co.nz

www.moffat.co.nz



ISO9001

Quality
Management
Standard

Designed and manufactured by

MOFFAT

ISO9001

All Blue Seal products are designed and manufactured by Moffat using the internationally recognised ISO9001 quality management system, covering design, manufacture and final inspection, ensuring consistent high quality at all times.



In line with policy to continually develop and improve its products, Moffat Limited reserves the right to change specifications and design without notice.