

Technical data sheet for

## P8M PROVER/HOLDING CABINET

Full Size Manual / Electric



P8M

Unit shall be a Blue Seal electrically heated Turbofan Prover and Holding Cabinet. The prover and holding cabinet shall have double skin construction with stainless steel interior and exterior sides, front and top. Door shall be side hinged and field reversible. Unit shall have capacity for up to 16 half size sheet pans or 8 full size sheet pans. A single speed fan shall gently and evenly circulate air around the cabinet. Cabinet shall be controlled by a mechanical thermostat and humidity via a control of the water tank. A thermometer shall indicate the cabinet temperature. Prover and holding cabinet shall be mounted on castors, with two rigid castors at rear and two swivel castors dual swivel and wheel lock and front. Prover and Holding cabinet shall operate independently or in combination with Blue Seal Turbofan model E32D4 or G32D4 Convection Ovens. Prover and Holding Cabinets shall be fitted with 13A cordsets. Unit shall be supplied in 100% recyclable shipping packaging.

### STANDARD FEATURES

- Dual function Prover and Holding Cabinet
- Designed for individual use or system installed with Turbofan 32D Convection Ovens
- 8 460mm x 660mm / 18" x 26" full size sheet pan capacity
- 16 460mm x 330mm / 18" x 13" half size sheet pan capacity
- 8 400mm x 600mm tray capacity (optional kit)
- 76mm tray spacing
- Compact 735mm width
- 13A plug-in cordset fitted
- Full double skin construction
- Auto water fill system with optional integrated water filter kit
- Continuous door seal
- Side hinged door (standard LH hinge). Optional RH hinge (field convertible)
- Off / Prove / Hold mode selection
- Low velocity circulation fan system
- Mechanical thermostat
- Humidity level control
- Dual halogen cabinet interior lamps
- Cabinet temperature display thermometer
- 4 dia. 76mm castors with 2 front castors dual wheel and swivel lock, 2 rigid rear castors
- 100% recyclable packaging

### ACCESSORIES

- 400mm x 600mm tray racking kit
- Optional 3M Cuno water filter kit complete with cartridge and connection fittings
- Installs in pre-fitted rear housing of cabinet for flush rear installation

### P8M Full Size Manual / Electric Prover/Holding Cabinet

#### CONSTRUCTION

304 stainless steel interior cabinet  
Stainless steel front, sides and top exterior  
Stainless steel interior side racks  
Stainless steel frame side hinged door  
5mm thick door glass  
Stainless steel control panel  
Aluminised coated steel base and rear panels

#### CONTROLS

Off / Prove / Holding mode selector switch.  
Mechanical thermostat 20-85°C  
Air heating ON control panel indicator  
Humidity level control  
Humidity tank ON control panel indicator  
Cabinet temperature thermometer  
Auto-fill water system standard

#### CLEANING

Stainless steel top and side exterior panels  
Stainless steel interior chamber  
Easy access to all interior surfaces  
Fully removable stainless steel rack support  
Removable humidity water tank (no tools)

#### SPECIFICATIONS

Electrical Requirements  
230-240V, 50Hz, 1P+N+E, 1.5kW, 6.3A  
13A cordset fitted

#### Water Requirements (optional)

Cold water connection ¾" BSP male  
80psi maximum inlet pressure / 20psi minimum inlet pressure

#### External Dimensions

Width 735mm  
Height 914mm including dia. 76mm castors  
Depth 810mm

#### Prover Internal Dimensions

Width 465mm  
Height 730mm  
Depth 700mm  
Volume 0.24m<sup>3</sup>

#### Nett Weight

77.5kg

#### Packing Data

95.3kg  
0.76m<sup>3</sup>  
Width 760mm  
Height 1080mm  
Depth 925mm

#### INSTALLATION CLEARANCES

Rear 0mm  
LH Side 0mm  
RH Side 25mm

#### CLEARANCE FROM SOURCES OF HEAT

A minimum distance of 300mm from the appliance sides is required



blue-seal.co.uk  
turbofanoven.com

United Kingdom  
Blue Seal Limited

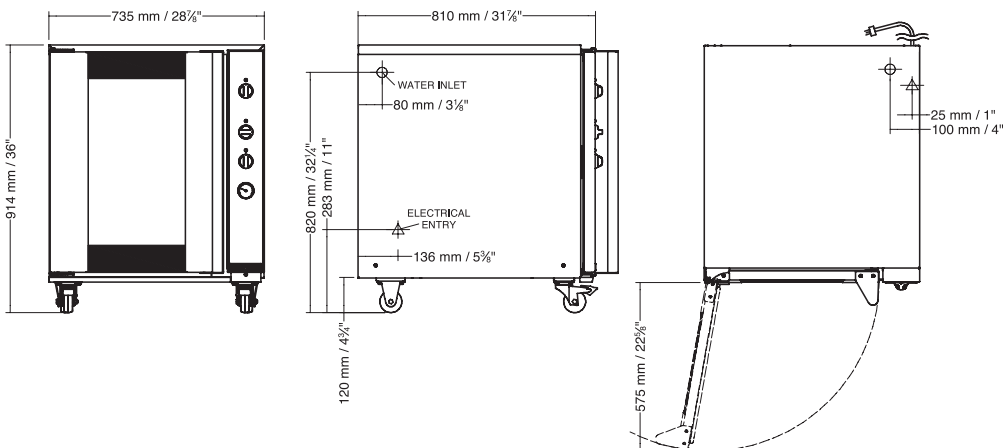
Unit 67  
Gravelly Business Park  
Gravelly  
Birmingham B24 8TQ  
England  
Telephone 0121-327 5575  
Facsimile 0121-327 9711  
sales@blue-seal.co.uk  
www.blue-seal.co.uk

Australia  
Moffat Pty Limited

740 Springvale Road  
Mulgrave, Victoria 3170  
Australia  
Telephone 03-9518 3888  
Facsimile 03-9518 3833  
vsales@moffat.com.au  
www.moffat.com.au

New Zealand  
Moffat Limited

Christchurch  
45 Illinois Drive  
Izone Business Hub  
Rolleston 7675  
Telephone +64 3-983 6600  
Facsimile +64 3-983 6660  
sales@moffat.co.nz  
www.moffat.co.nz



ISO9001  
Quality  
Management  
Standard

Designed and manufactured by



ISO9001

All Turbofan products are designed and manufactured by Moffat using the internationally recognised ISO9001 quality management system, covering design, manufacture and final inspection, ensuring consistent high quality at all times.

In line with policy to continually develop and improve its products, Moffat Limited reserves the right to change specifications and design without notice.



© Copyright Moffat Ltd  
UK.TFN.S.1601

