



DOMINATOR**PLUS**

E3904i Induction Boiling Top

Key features

- 4 x 5kW energy efficient heat zones
 - Instant heat and incredibly fast heat up times
- In-built pan detection
 - No heat generated until a pan is placed on the hob, meaning no wasted energy
- Heavy duty ceramic glass hob
 - Robust and spillages simply wipe clean, no scrubbing required
- Temperature is precisely controllable
 - Change from gentle simmer to rolling boil almost instantly
- Low cooking surface temperature and no naked flames
 - Safer for kitchen staff as reduced risk of burns
- Very little heat emitted into kitchen
 - Contributes to a more pleasant working environment and existing ventilation doesn't have to work as hard

Accessories

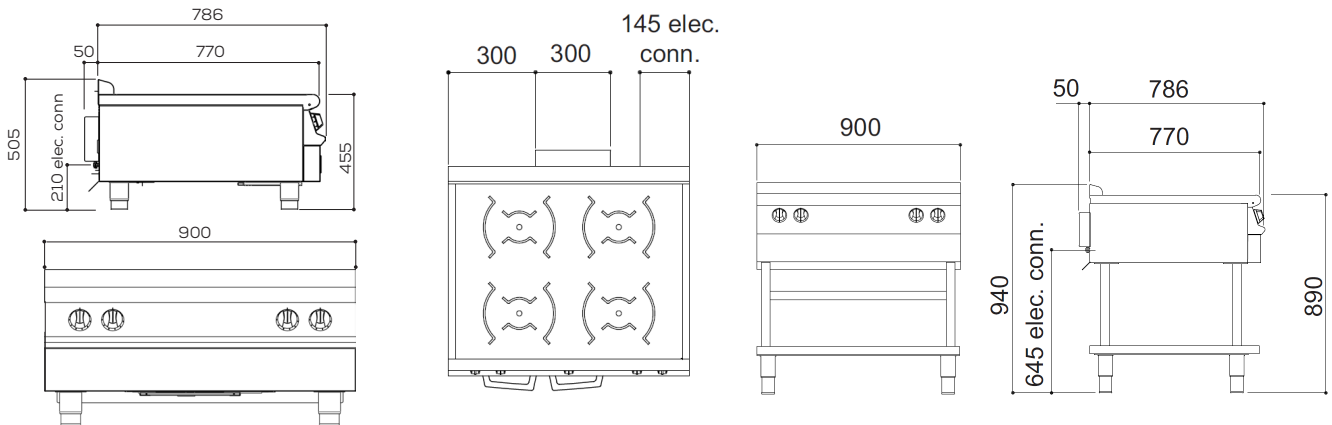
- Fixed stand
- Factory fitted, adjustable castors
- Fixed installation kit



Similar Models

- E3903i 4 x 3.5kW induction boiling top
- E3902i 2 x 5kW induction boiling top
- E3914i 4 x 5kW induction range
- i9085 4 x 5kW induction boiling top (F900)

Induction Boiling Top



Measurements *in mm*

Unit on castors is the same hob height

Specification details

Electrical rating (kW)	20
Electrical supply voltage	400V 3~
Required electrical supply (A)	32
Electrical current split (A)	L1: 29 L2: 29 L3: 29
Element rating - hob (kW)	5 x 4
Heat zone diameter (mm)	270
Minimum pan size (mm)	120
Weight (kg)	92
Packed weight (kg)	105
Packed dimensions (w x d x h - mm)	1000 x 1000 x 700
GTIN number	

Installation notes

Adequate ventilation must be provided to supply sufficient fresh air for combustion and to allow easy removal of any such products that may present a risk to health. Please consult current legislation for details that relate to specific locations.

Install unit on a level, fireproof surface in a well-lit, draught free position. If floor is made of a combustible material, local fire requirements must be checked to ensure compliance.

A clearance of 150mm should be observed between appliance and any combustible wall.

