



UCG105A

Features

- Produces clear, long-lasting gourmet cubes.
- Space-saving 463 mm wide under-counter design.
- Produces up to 48 kg of ice per day.
- Constructed from sturdy, corrosion-resistant stainless steel and fingerprint-proof plastic.
- Ideal for any under-counter or bar application.
- Contemporary, elegant design.
- Environmentally friendly R134A refrigerant.
- Easily adjust the thickness of your ice from the front of the machine!

Space-Saving Solutions

- Front air discharge design for compact spaces.
- Low profile top saves counter space.
- Stores up to 22 kg of ice.
- Easy front access to ice.
- Removable Air Filter.

Options & Accessories

| WATER FILTERS | | | |
|-------------------|----------|-------------|---------------|
| Ice Machine Model | Manifold | | Inline |
| | System | Replacement | System |
| UCG105 | IFQ1-S | IOMQ-S | IF14C / IF18C |

Ice Maker Warranty

Every Ice-O-Matic ice maker is backed by a warranty that provides both parts and labor coverage.

- Two years Parts and Labour

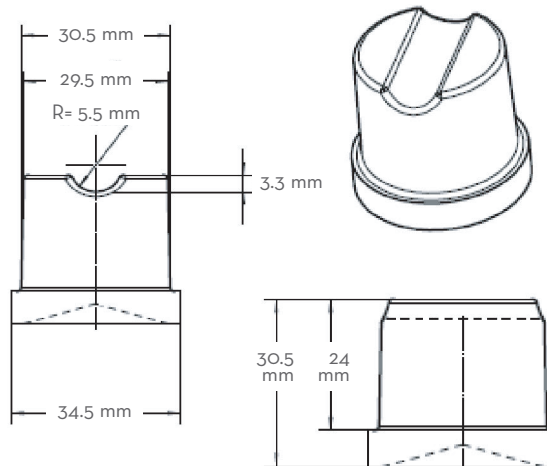
Ice Form



GOURMET ICE

GOURMET ICE DIMENSIONS

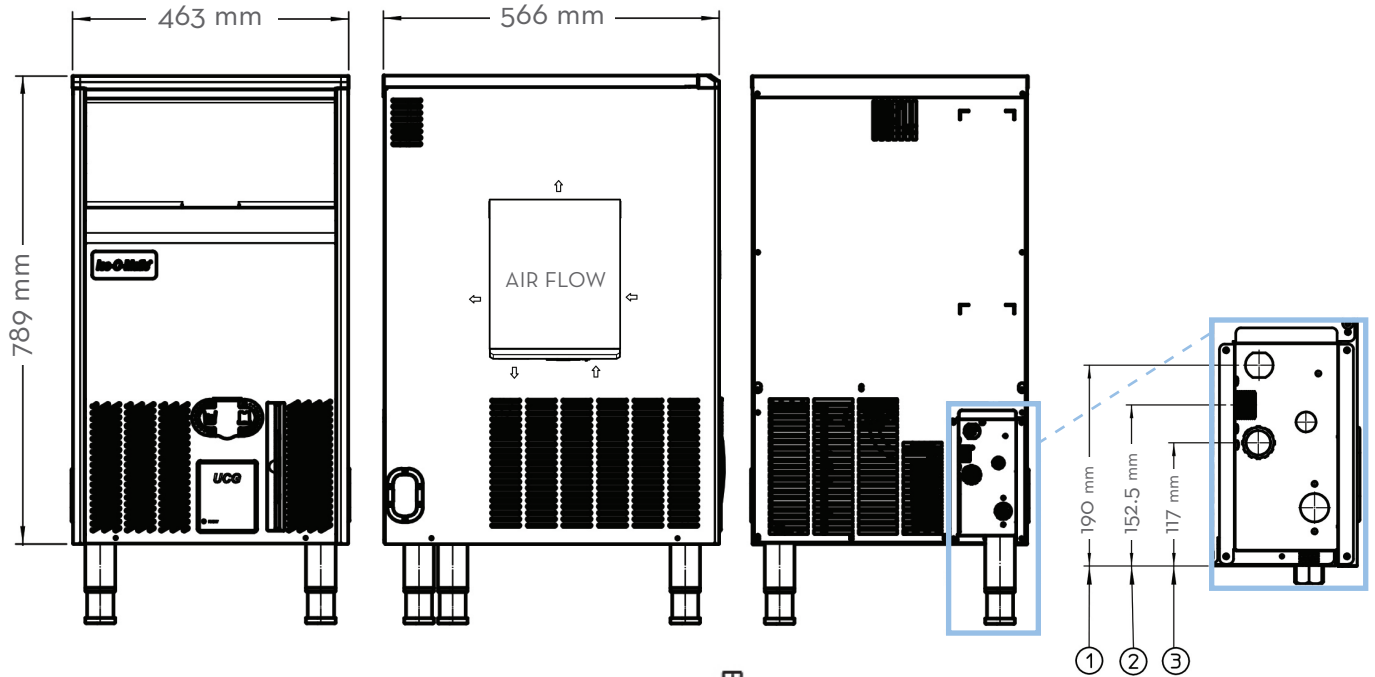
| | |
|----------|---------------------|
| Height | 30.5 mm (1.2 in.) |
| Diameter | 34.25 mm (1.35 in.) |



UCG105A GOURMET SERIES UNDERCOUNTER

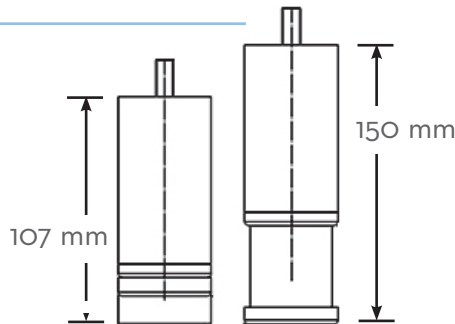


UCG105A GOURMET SERIES UNDERCOUNTER



LEGS INCLUDED

Extends from 107 mm to 150 mm



- 1 - Power Cord
- 2 - 19 mm Water Inlet
- 3 - 20 mm Water Drain

Operating Requirements

| | MINIMUM | MAXIMUM |
|-------------------------|----------------|----------------|
| | 50 Hz | |
| Ambient Temp. Range Air | 10°C (50°F) | 43°C (109°F) |
| Water Temp. | 5°C (41°F) | 38°C (100°F) |
| Water Pressure | 1 BAR (14 PSI) | 5 BAR (70 PSI) |
| Electrical Voltage | 230V/50Hz/1ph | |

Dimensions

| ALL MODELS | |
|-----------------|-----------------|
| W x D x H (mm) | 463 x 566 x 789 |
| W x D x H (in.) | 18¼ x 22¼ x 31 |

* Dimensions do not account for the included adjustable legs.

Specifications

| Model Number | Cond. Unit | Ice Production per 24hrs | Ice Production per 24hrs | Ice Production per 24hrs | Storage Capacity (kg) | Water Consumption (ltr/hr) | kWH Used per 45 kg of Ice @ 32°C air/ 21°C water | Voltage Characteristics |
|--------------|------------|--------------------------|--------------------------|--------------------------|-----------------------|----------------------------|--|-------------------------|
| | | 10°C air/10°C water (kg) | 21°C air/10°C water (kg) | 32°C air/21°C water (kg) | | | | |
| UCG105A | Air | 48 | 47.5 | 38 | 22 | 6 | 11 | 230/50/1 |

NOTES:

Approx. Shipping Weight (kg): UCG105A (37)
Refrigerant Type: R134A

All specifications and performance data are subject to normal manufacturing variances.

Ice-O-Matic reserves the right to change the specifications at any time without obligation. Certifications may vary depending on country of origin.