



**Naboo**  
reloaded

**LAINOX**  
DEVICE FOR COOKING

**NAGB101R**

10 x 1/1 GN  
GAS WITH BOILER

AUTOMATIC INTERACTIVE COOKING  
TOUCH SCREEN CONTROLS



LCD 10" Touch Screen

**TOUCH SCREEN**

10-Inch, LCD, HD, colour, capacitive screen, with "Touch Screen" function choice. The display can be configured based on the user's needs.



MULTILEVEL



JUST IN TIME



AUTOCLIMA



FAST-DRY



SMOKEGRILL



SMOKING



FLAVOURING



ECOSPEED



GFT



ECOVAPOR



TURBOVAPOR



AUTOMATIC WASHING



ECO WASH



NABOOK CLOUD



SYNCHRONISATION



REMOTE SERVICE

**TECHNICAL DATA**

Capacity	GN	10 x 1/1 GN	Gas versions nominal heating output	kW / kcal	28 / 24.080
Distance between layers	mm	70	Chamber heating output	kW / kcal	18 / 15.480
Number of meals		80 / 150	Steam heating output	kW / kcal	18 / 15480
External dimensions metric	mm	930 x 936 x 1040 h	Fan power	kW	1
Packing dimensions	mm	1000 x 990 x 1250 h	Power supply voltage	V	3N AC 230
Weight - Net / Gross	kg	186 / 208	Frequency	Hz	50/60
Total electric power	kW	1	Consumption	A	0

*Special voltages and frequencies on request*

# NAGB101R

## COOKING MODES

- ICS (INTERACTIVE COOKING SYSTEM), AN AUTOMATIC COOKING SYSTEM FOR INTERNATIONAL RECIPES INCLUDING THEIR HISTORY, INGREDIENTS, PROCEDURE, AUTOMATIC COOKING PROGRAM AND PLATE PRESENTATION.
- MANUAL COOKING WITH THREE COOKING MODES: FROM 30°C TO 300°C, STEAM FROM 30°C TO 130°C, COMBINATION CONVECTION + STEAM FROM 30°C TO 300°C, WITH INSTANT COOKING START.
- PROGRAMMABLE MODES: POSSIBILITY TO PROGRAMME AND SAVE COOKING METHODS IN AN AUTOMATIC SEQUENCE (UP TO 15 CYCLES) GIVING EACH PROGRAMME ITS OWN NAME, PICTURE AND INFORMATION ON THE RECIPE.
- MULTILEVEL AND JIT MODE.
- MULTILEVEL PLUS: DOUBLING THE MULTI-LEVEL FUNCTION ON EACH SHELF MEANS DOUBLING PRODUCTION CAPACITY.
- AUTOCLIMA® AUTOMATIC SYSTEM FOR MEASURING AND CONTROLLING THE HUMIDITY IN THE COOKING CHAMBER.
- FAST-DRY® SYSTEM FOR QUICK DEHUMIDIFICATION OF THE COOKING CHAMBER.

## NABOOK WI-FI CONNECTIVITY

- RECIPE CREATION INCLUDING INGREDIENTS WITH PROCEDURE AND PHOTO.
- DIRECT ACCESS FROM COOKING DEVICE TO LAINOX RECIPE DATABASE WITH OPTIONAL DOWNLOAD.
- MENU CREATION WITH CALORIE COUNT AND LIST OF ALLERGENS WITH LAYOUT FOR CUSTOMISED PRINT OUT.
- FOOD COST CALCULATION OF RECIPES AND SINGLE PORTION MENUS.
- ORGANISATION OF SHOPPING LIST TO EXPORT IN PDF, EXCEL AND WORD FORMAT.
- SYNCHRONISATION OF DEVICES CONNECTED TO THE SAME ACCOUNT.
- HACCP MONITORING.
- REMOTE SERVICE.
- SOFTWARE UPDATE.

## OPERATION

- DISPLAY THAT CAN BE CONFIGURED BASED ON THE USER'S NEEDS, BRINGING FORWARD THE PROGRAMMES USED MOST.
- AUTOMATIC "ONE TOUCH" COOKING (ICS).
- ORGANISATION OF RECIPES IN FOLDERS WITH PREVIEW, GIVING EACH FOLDER ITS OWN NAME.
- INTELLIGENT RECOGNITION OF RECIPES IN MULTILEVEL FOLDERS.
- 10" COLOUR SCREEN (LCD, HIGH DEFINITION, CAPACITIVE, WITH "TOUCH SCREEN" FUNCTIONS).
- SCROLLER PLUS KNOB WITH SCROLL AND PUSH FUNCTION FOR CONFIRMING CHOICES.
- AUTOMATIC DOOR OPENING USING THE "OPEN" BUTTON (OPTIONAL)
- INSTANTANEOUS DISPLAY IN ICS COOKING OF THE HACCP GRAPHIC.

## CONTROL MECHANISMS

- AUTO REVERSE (AUTOMATIC REVERSE OF FAN ROTATION) FOR PERFECT COOKING UNIFORMITY.
- AUTOMATIC PARALLEL COMPARTMENT AND CORE TEMPERATURE CONTROL, DELTA T SYSTEM.
- AUTOMATICALLY REGULATED STEAM CONDENSATION.
- EASY ACCESS TO PROGRAMMABLE USER PARAMETERS TO CUSTOMISE THE APPLIANCE THROUGH THE USER MENU.
- PROGRAMMABLE DEFERRED COOKING.
- ABILITY TO CHOOSE UP TO 6 FAN SPEEDS; THE FIRST 3 SPEEDS AUTOMATICALLY TRIGGER A REDUCTION IN HEATING POWER. FOR SPECIAL COOKING METHODS, YOU CAN USE AN INTERMITTENT SPEED.
- TEMPERATURE CONTROL AT THE PRODUCT CORE USING PROBE WITH 4 DETECTION POINTS.
- 2 CORE PROBE, A LAINOX EXCLUSIVE.
- CORE PROBE CONNECTION THROUGH A CONNECTOR OUTSIDE OF THE COOKING CHAMBER, WITH THE POSSIBILITY OF QUICKLY CONNECTING THE NEEDLE PROBE FOR VACUUM COOKING AND SMALL PIECES.
- USB CONNECTION TO DOWNLOAD HACCP DATA, UPDATE SOFTWARE AND LOAD/DOWNLOAD COOKING PROGRAMMES.
- POSSIBILITY OF SETTING DEVICE SWITCH-OFF AT THE END OF THE AUTOMATIC WASH PROGRAM.
- SERVICE PROGRAM: TESTING THE OPERATION OF THE ELECTRONIC BOARD - DISPLAY OF THE TEMPERATURE PROBES - COUNTER FOR OPERATING HOURS OF ALL PRIMARY FUNCTIONS FOR PROGRAMMED MAINTENANCE.
- SELF-DIAGNOSIS BEFORE STARTING TO USE THE EQUIPMENT, WITH DESCRIPTIVE AND AUDIBLE SIGNALLING OF ANY ANOMALIES.
- ECOSPEED - BASED ON THE QUANTITY AND TYPE OF PRODUCT, THE OVEN OPTIMISES AND CONTROLS THE ENERGY OUTPUT, MAINTAINING THE BEST COOKING TEMPERATURE AND AVOIDING FLUCTUATIONS.
- ECOVAPOR - WITH THE ECOVAPOR SYSTEM, THERE IS A NET REDUCTION IN WATER AND ENERGY CONSUMPTION DUE TO THE AUTOMATIC CONTROLS OF THE STEAM SATURATION IN THE COOKING CHAMBER.
- TURBOVAPOR - WITH THE TURBOVAPOR SYSTEM IT AUTOMATICALLY PRODUCES THE IDEAL LEVEL OF STEAM TO COOK "TOUGH" PRODUCTS LIKE EGG PASTA OR ASPARAGUS, TURNIP GREENS AND CHARD, WHICH ARE NOTORIOUSLY FIBROUS VEGETABLES.
- GREEN FINE TUNING - A NEW BURNER MODULATION SYSTEM AND HIGH EFFICIENCY EXCHANGER TO PREVENT POWER WASTAGE AND REDUCE HARMFUL EMISSIONS.

## CONSTRUCTION

- PERFECTLY SMOOTH, WATERTIGHT CHAMBER
- DOOR WITH DOUBLE TEMPERED GLASS WITH AIR CHAMBER AND INTERIOR HEAT-REFLECTING GLASS FOR LESS HEAT RADIATION TOWARDS THE OPERATOR AND GREATER EFFICIENCY
- INTERNAL GLASS THAT FOLDS TO OPEN FOR EASY CLEANING
- HANDLE WITH LEFT OR RIGHT HAND OPENING
- ADJUSTABLE HINGE FOR OPTIMAL SEAL
- DEFLECTOR THAT CAN BE OPENED FOR EASY FAN COMPARTMENT CLEANING
- IPX5 PROTECTION AGAINST SPRAYS OF WATER

## GAS HEATING SYSTEM

- BLOWN AIR TYPE OF MODULATING BURNERS FOR THE CAVITY
- AUTOMATIC FLAME IGNITION
- ELECTRONIC CONTROL OF THE FLAME WITH AUTOMATIC IGNITION RESET
- HIGH EFFICIENCY HEAT EXCHANGER WITH STEEL AISI 310 S EXPANSION CABINET

# NAGB101R

## STEAM GENERATOR

- STEAM GENERATOR HEATING ELEMENTS OF ARMoured INCOLOY 800 TYPE
- AISI 316 FULLY INSULATED STEAM GENERATOR
- BLOWN AIR TYPE OF MODULATING BURNERS FOR THE STEAM GENERATOR
- AUTOMATIC BOILER PRE-HEATING
- DAILY AUTOMATIC BOILER DRAINING (TEMPERATURE OF DRAINED WATER BELOW 60°C) AND RINSING
- ALARM IN CASE OF BOILER DE-SCALING REQUIRED
- BOILER SEMI-AUTOMATIC DE-SCALING PROGRAM
- CAL-OUT SYSTEM TO PREVENT SCALE BUILD-UP WITHIN THE BOILER, AS STANDARD

## SAFETY FEATURES

- COOKING COMPARTMENT SAFETY THERMOSTAT
- COOKING COMPARTMENT SAFETY DEVICE FOR PRESSURE BUILT-UP AND DEPRESSION
- FAN MOTOR THERMIC PROTECTION
- MAGNETIC DOOR SWITCH
- LACK OF WATER DISPLAYED ALARM
- SELF-DIAGNOSIS AND FAULT DISPLAY
- COMPONENT COOLING SYSTEM WITH OVERHEAT DISPLAY CONTROL
- FLAME DETECTION SENSOR INTERRUPTING GAS FLOW IN CASE OF SWITCH OF FLAME FAILURE
- SAFETY PRESSURE SWITCH FOR LACK OF GAS ALARM
- TWO-STAGE GAS VALVE
- BOILER SAFETY THERMOSTAT
- BOILER WATER LEVEL PROBES
- BOILER PROBE TO CHECK BOILER COMPLETELY EMPTY

## CLEANING AND MAINTENANCE

- AUTOMATIC CLEANING SYSTEM LCS (LIQUID CLEAN SYSTEM) WITH BUILT-IN TANK AND AUTOMATIC DISPENSING (COMBICLEAN LIQUID CLEANSER IN 100% RECYCLABLE CARTRIDGES. SUPPLIED WITH 1 LIQUID CLEANSER CARTRIDGE CDL05 - 990 GR.).
- CALOUT DESCALING SYSTEM, THAT PREVENTS THE FORMATION AND ACCUMULATION OF LIMESCALE IN THE BOILER, WITH BUILT-IN TANK AND AUTOMATIC DISPENSING (CALFREE LIQUID DESCALER, IN 100% RECYCLABLE CARTRIDGES. SUPPLIED WITH 1 LIQUID DESCALER CARTRIDGE CCF05 - 990 GR.).
- MANUAL CLEANING SYSTEM WITH RETRACTABLE HAND-HELD SHOWER.

## STANDARD EQUIPMENT

- AUTOMATIC CLEANING SYSTEM LCS - SUPPLIED WITH 1 LIQUID CLEANSER CARTRIDGE CDL05 - 990 GR.
- CALOUT DESCALING SYSTEM FOR MODELS WITH BOILER - SUPPLIED WITH ANTI-SCALE PRODUCT
- MULTIPOINT CORE PROBE Ø 3 MM.
- BUILT-IN AND RETRACTABLE HAND SHOWER WITH TAP
- WI-FI CONNECTION
- USB CONNECTION

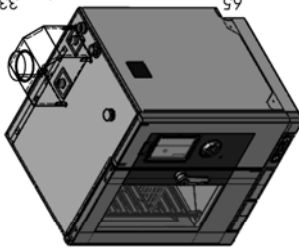
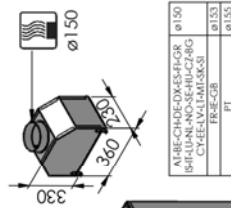
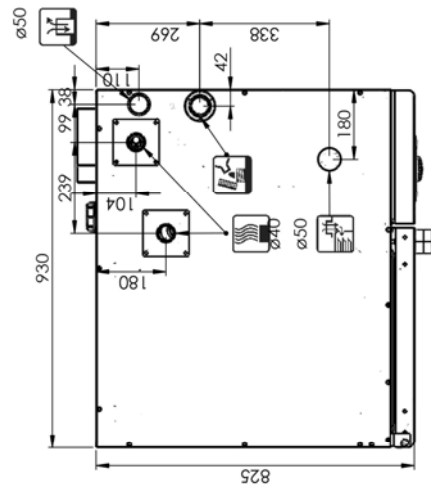
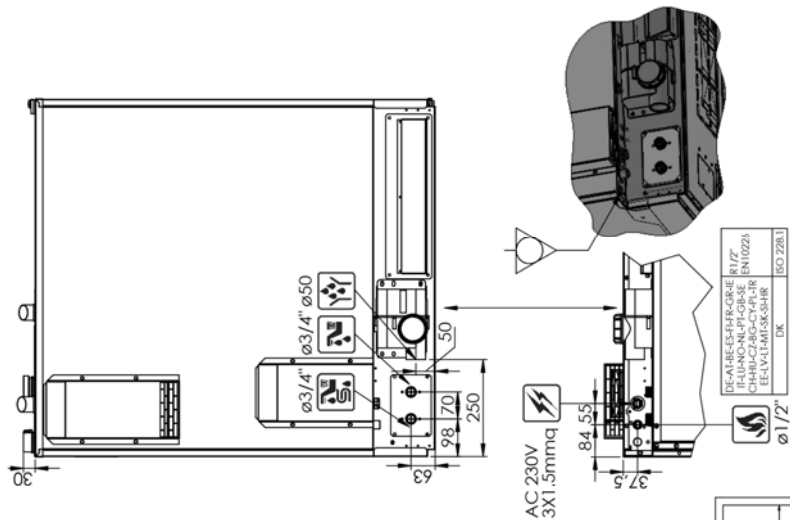
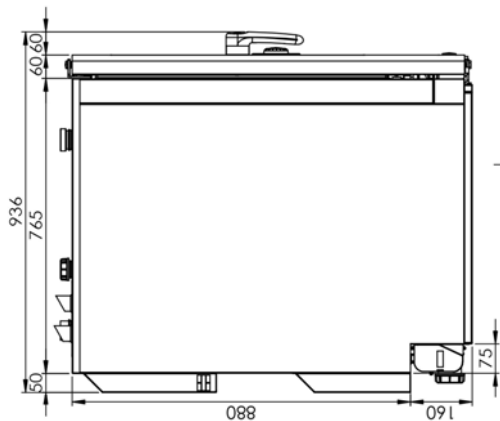
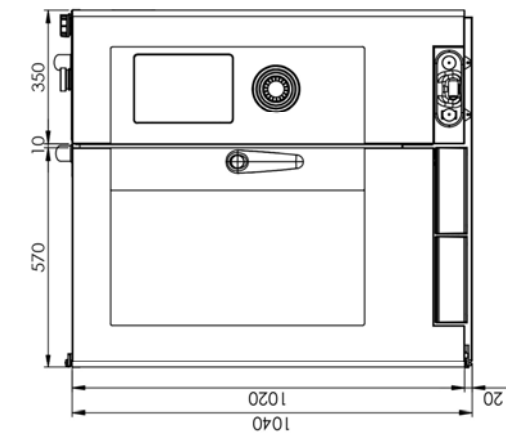
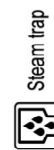
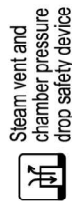
## OPTIONAL - TO BE REQUESTED WHEN ORDERING OVEN

- **NAA:** AUTOMATIC DOOR OPENING - NOT COMPATIBLE WITH HANDLE - NOT AVAILABLE WITH RIGHT HINGED DOOR
- **NPS:** OPPOSITE HINGED DOOR
- **APDS:** DOUBLE RELEASE DOOR OPENING- NOT AVAILABLE WITH RIGHT HINGED DOOR
- **NSG:** SMOKEGRILL - 3 IN 1 - BARBECUE SYSTEM / SMOKING / FLAVOURING
- **NPK:** CONFIGURATION FOR CONNECTION TO EXTRACTION HOOD
- **NETH:** EXTRA CHARGE FOR ETHERNET CONNECTION
- **NSS101:** EXTRA CHARGE FOR REMOVABLE RACK NSE101 + COMPULSORY FRAME NTL071
- **NSS864:** EXTRA CHARGE FOR PASTRY VERSION REMOVABLE RACK NSE864 + COMPULSORY FRAME NTL071
- **NSP864:** EXTRA CHARGE FOR PASTRY VERSION SHELF RACKS NGP864
- **CAM101:** FLUE WITH WIND PROTECTION DEVICE FOR GAS MODELS - MODELS WITH BOILER
- **DSP:** DISPLAY-CONTROL PANEL PROTECTION

## EXTRA ACCESSORIES THAT CAN BE INSTALLED FOLLOWING PURCHASE

- **KSC180:** MULTIPOINT CORE PROBE FOR LARGE ITEMS Ø 3 MM, PIN LENGTH 180 MM.
- **KSA001:** NEEDLE CORE PROBE Ø 1 MM.
- **KSM002:** MULTIPROBES SYSTEM, 2 MULTIPOINT CORE PROBES. Ø 3 MM
- **NFX01:** FAT FILTER
- **KP004:** SET OF FEET - 150 MM H
- **NSR101:** STAINLESS STEEL FLOOR STAND - FULL AISI 304
- **NSR101S:** STAINLESS STEEL FLOOR STAND FOR INSERTION OF THE BLAST CHILLER - MOD. 050-051 - FULL AISI 304
- **NPT071:** SIDE RUNNERS - FIXED TO FLOOR STAND - FULL AISI 304
- **KAN101:** NEUTRAL CABINETS WITH DOORS AND SIDE RUNNERS - FIXED TO FLOOR STAND - FULL AISI 304
- **KAL101:** NEUTRAL CABINET WITH DOORS - FIXED TO FLOOR STAND - FULL AISI 304
- **RP04:** CASTER KIT FOR FLOOR STANDS, 2 WITH BRAKE
- **CCE:** COLLECTOR FOR EXTERNAL CONNECTION - Ø 150 MM
- **NSE101:** REMOVABLE RACK - TO BE USED WITH COMPULSORY FRAME
- **NSE864:** REMOVABLE RACK - TO BE USED WITH COMPULSORY FRAME - PASTRY VERSION - 8 X 600 X 400
- **NGP864:** PAIR OF SHELF RACKS 600 X 400 - PASTRY VERSION
- **NPA101:** STAINLESS STEEL HEAT SHIELD FOR THE UNIT SIDE PANEL

The data reported in this document is to be considered non-binding. The company reserves the right to make changes at any time, without prior notice



AC 230V  
3X1,5mmq

FR-E-COR  
FR-E-COR  
FR-E-COR  
FR-E-COR  
FR-E-COR  
FR-E-COR

DE-AT-BE-ES-FR-COR-IE  
RU-UO-NL-PI-GR-SE  
ES-UK-IT-PT-GR  
EL-V-LAN-K-CH-AR  
DK  
ISO 22811

ø1/2"

