



## V6 - Lincat Silverlink 600 Electric Free-standing Oven - W 600 mm - 3.0 kW

The Silverlink 600 Electric Oven guarantees excellent performance and optimum efficiency.

- ✓ Excellent performance and optimum efficiency oven operating from a 13A plug
- ✓ Accommodates 2/3 gastronorms
- ✓ Four shelf positions with two removable shelves
- ✓ Able to support Silverlink 600 counter top units such as boiling tops, bains marie, griddles and work tops
- ✓ Stainless steel interior with radiused corners and removable side shelf supports for easy cleaning

### Specifications

#### Summary

<b>Brand</b>	Lincat
<b>Range</b>	Silverlink 600
<b>Power Type</b>	Electric
<b>Unit Type</b>	Free-standing
<b>Available in UK Only</b>	No
<b>UK Warranty</b>	2 Years Parts and Labour Warranty
<b>Export Warranty</b>	Contact your local dealer
<b>GTIN</b>	5056105100188

#### Power and Performance

<b>Total Power kW</b>	3.00
<b>Temperature Range °C</b>	50-250
<b>IP Rating</b>	IP34
<b>Temperature Control</b>	Mechanical
<b>Oven Rating kW</b>	3.00

#### Key Specifications

<b>Number of Shelves included</b>	2
<b>Number of Shelf Positions</b>	4

#### Capacity

<b>Gastronorm Capacity</b>	1 x GN2/3
----------------------------	-----------

#### Weights and Dimensions

<b>Unit Height (External) mm</b>	674
<b>Unit Width (External) mm</b>	600
<b>Unit Depth (External) mm</b>	623
<b>Height (Internal) mm</b>	420
<b>Width (Internal) mm</b>	470
<b>Depth (Internal) mm</b>	335
<b>Shelf Dimensions Width mm</b>	455
<b>Shelf Dimensions Depth mm</b>	335
<b>Net Weight Kg</b>	45

#### Supply Connections

<b>Requires Installation</b>	No
<b>Requires Electrical Supply</b>	Yes
<b>UK 3 Pin Plug</b>	Yes
<b>Requires Hardwiring</b>	No
<b>Electrical Supply Rating Watts</b>	3,000
<b>Single Phase Amps</b>	13.0
<b>Single Phase Voltage</b>	230

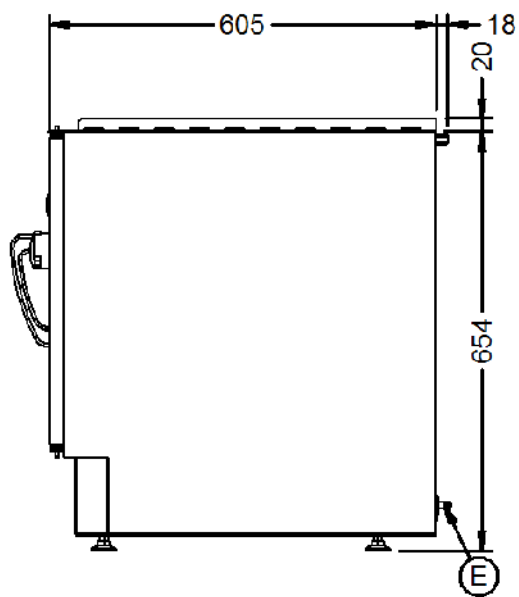
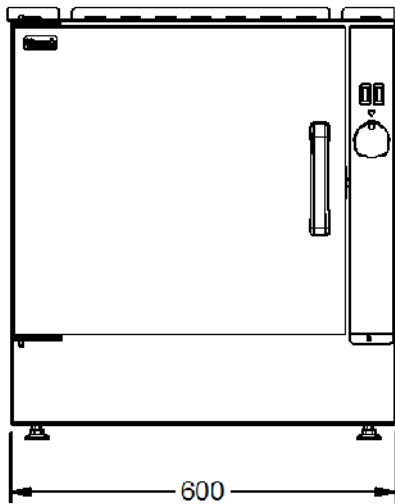
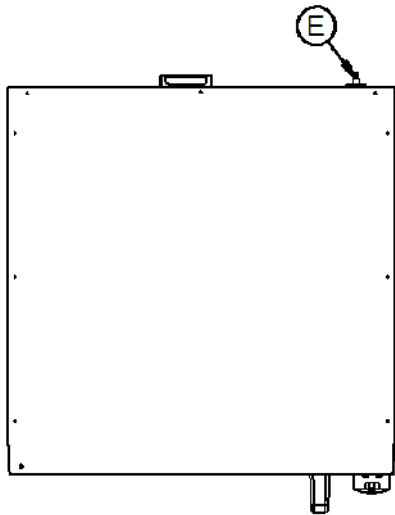
#### Shipping

<b>Packed Weight Kg</b>	57.3
<b>Packed Height cm</b>	102.3
<b>Packed Width cm</b>	70.3
<b>Packed Depth cm</b>	70.3

### Available Accessories

<b>SLS6V</b>	Lincat Silverlink 600 Free-standing Floor Stand - for V6 Series Ovens - W 600 mm
<b>V6/T</b>	V6 TOP COVER - ACCESSORY ONLY

### Technical Picture



#### Lincat Limited

Whisby Road,  
Lincoln, LN6 3QZ,  
United Kingdom

**Company No:** 2175448

A member company of



#### Customer Care

**Tel:** +44 1522 875500  
**Email:** care@lincat.co.uk

#### Export Customers

**Tel:** +44 1522 503250  
**Email:** export@lincat.co.uk

#### Opening Hours

**Monday – Friday:**  
8.30am – 5pm