



## OE8205 - Lincat Opus 800 Electric Counter-top Griddle - W 600 mm - 8.0 kW

Cooking a Full English Breakfast has never been easier than it is with the Opus 800 Electric Griddle, which utilises a maximised cooking area.

- ✔ Maximised cooking area, griddle plates sit flush to the sides of the unit
- ✔ Two separately controlled heat zones give you the option of operating either zone independently to provide a smaller cooking area during quiet periods as well as offering versatility when cooking two separate meals simultaneously

### Specifications

#### Summary

<b>Brand</b>	Lincat
<b>Range</b>	Opus 800
<b>Power Type</b>	Electric
<b>Unit Type</b>	Counter-top
<b>Available in UK Only</b>	No
<b>UK Warranty</b>	2 Years Parts and Labour Warranty
<b>Export Warranty</b>	Contact your local dealer
<b>GTIN</b>	5056105102502

#### Power and Performance

<b>Total Power kW</b>	8.0
<b>Temperature Range °C</b>	90-300
<b>IP Rating</b>	IP24
<b>Cooking Area (Width x Depth) mm</b>	590 x 600
<b>Temperature Control</b>	Mechanical

#### Key Specifications

<b>Number of Heat Zones</b>	2
<b>Grill Plate Surface Type</b>	Smooth
<b>Grill Plate Material</b>	Steel

#### Capacity

<b>Product Output per Hour</b>	128 x 225g [8oz] steaks [chilled]
--------------------------------	-----------------------------------

#### Weights and Dimensions

<b>Unit Height (External) mm</b>	428
<b>Unit Width (External) mm</b>	600
<b>Unit Depth (External) mm</b>	800
<b>Net Weight Kg</b>	78

#### Supply Connections

<b>Requires Installation</b>	Yes
<b>Requires Electrical Supply</b>	Yes
<b>UK 3 Pin Plug</b>	No
<b>Requires Hardwiring</b>	Yes
<b>Electrical Supply Rating Watts</b>	8,000
<b>Single Phase Amps</b>	34.8
<b>Single Phase Voltage</b>	230
<b>Three Phase Amps</b>	L1=17.4; L2=17.4; L3=N/A
<b>Three Phase Voltage</b>	400

#### Shipping

<b>Packed Weight Kg</b>	85.8
<b>Packed Height cm</b>	63
<b>Packed Width cm</b>	70
<b>Packed Depth cm</b>	85

### Available Accessories

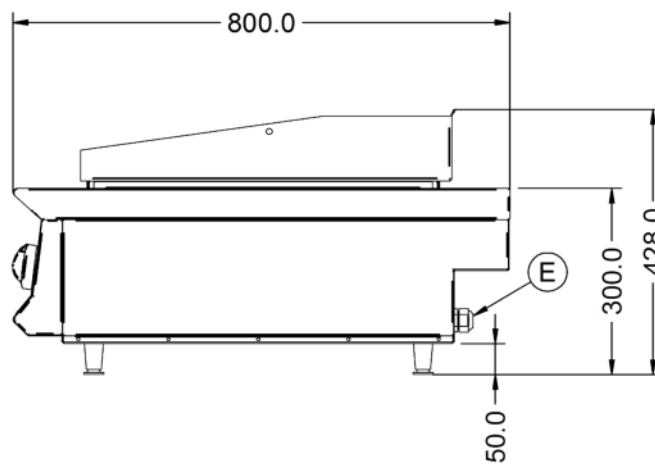
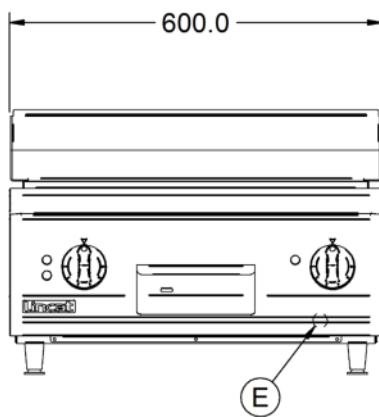
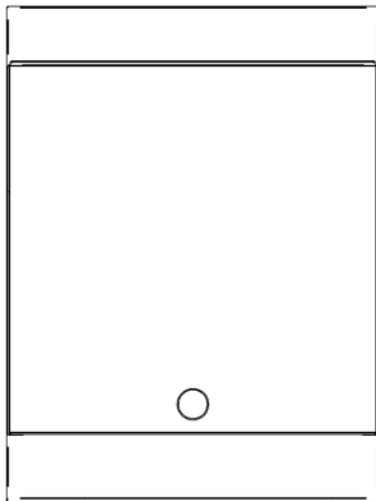
<b>LK11</b>	OPUS 800 LONG LEG KIT
<b>OA8917</b>	Lincat Opus 800 Free-standing Floor Stand with Legs - for units W 600 mm
<b>OA8917/C</b>	Lincat Opus 800 Free-standing Floor Stand with Castors - for units W 600 mm
<b>OA8972</b>	Lincat Opus 800 Free-standing Pedestal with Doors and Legs - for units W 600 mm

Available Accessories

OA8972/C

Lincat Opus 800 Free-standing Pedestal with Doors and Castors - for units W 600 mm

Technical Picture





**Lincat Limited**

Whisby Road,  
Lincoln, LN6 3QZ,  
United Kingdom

**Company No:** 2175448

A member company of



**Customer Care**

**Tel:** +44 1522 875500  
**Email:** care@lincat.co.uk

**Export Customers**

**Tel:** +44 1522 875536  
**Email:** export@lincat.co.uk

**Opening Hours**

**Monday – Friday:**  
8.30am – 5pm