



BM7X - Lincat Silverlink 600 Electric Counter-top Bain Marie - Dry Heat - Gastronorms - Base only - W 750 mm - 1.0 kW

The Silverlink 600 Electric Dry Heat Bain Marie safely holds sauces, soups, gravy and precooked foods for up to two hours at the ideal serving temperature

- ✓ Dry heat bain marie
- ✓ Ideal for holding foods for up to 2 hours at serving temperature
- ✓ Base unit only supplied empty no gastronorms included
- ✓ Plug and play for an easy installation
- ✓ Perfect for safely holding sauces, gravy & pre-cooked foods
- ✓ Adjustable temperature control

Specifications

Summary

Brand	Lincat
Range	Silverlink 600
Power Type	Electric
Unit Type	Counter-top
Available in UK Only	No
UK Warranty	2 Years Parts and Labour Warranty
Export Warranty	Contact your local dealer
GTIN	5056105100584

Power and Performance

Total Power kW	1.00
IP Rating	IP33
Temperature Control	Mechanical

Key Specifications

Pot Type	Gastronorm
Type of Heat	Dry

Capacity

Gastronorm Capacity	2 x GN1/1
----------------------------	-----------

Weights and Dimensions

Unit Height (External) mm	290
Unit Width (External) mm	750
Unit Depth (External) mm	600
Net Weight Kg	14.8

Supply Connections

Requires Installation	No
Requires Electrical Supply	Yes
UK 3 Pin Plug	Yes
Requires Hardwiring	No
Electrical Supply Rating Watts	1,000
Single Phase Amps	4.3
Single Phase Voltage	230

Shipping

Packed Weight Kg	16.28
Packed Height cm	49.5
Packed Width cm	85.5
Packed Depth cm	70

Available Accessories

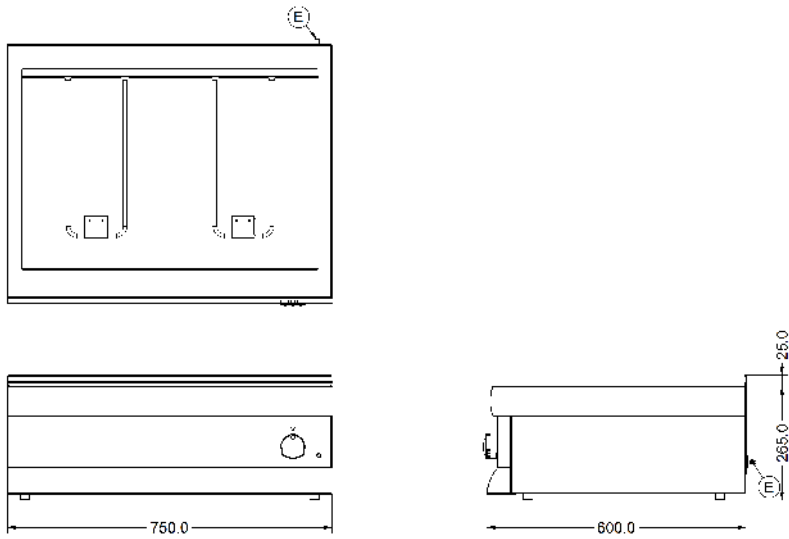
CC7	Lincat Silverlink 600 Free-standing Ambient Open-Top Pedestal with Doors - W 750 mm
CN7	Lincat Silverlink 600 Free-standing Ambient Open-Top Pedestal without Doors - W 750 mm
HC7	Lincat Silverlink 600 Free-standing Heated Open-Top Pedestal with Doors - W 750 mm - 0.5 kW
HCL7	Lincat Silverlink 600 Free-standing Heated Pedestal with Legs and Doors - W 750 mm - 0.75 kW

Available Accessories

SLS7

Lincat Silverlink 600 Free-standing Floor Stand - for units W 750 mm

Technical Picture





Lincat Limited

Whisby Road,
Lincoln, LN6 3QZ,
United Kingdom

Company No: 2175448

A member company of



Customer Care

Tel: +44 1522 875500
Email: care@lincat.co.uk

Export Customers

Tel: +44 1522 875536
Email: export@lincat.co.uk

Opening Hours

Monday – Friday:
8.30am – 5pm