



OE8012 - Lincat Opus 800
Electric Counter-top
Boiling Top - W 600 mm -
10.4 kW

Perfect for large pubs and restaurants, school canteens, care homes and hospitals, the Four-Plate Opus 800 Electric Boiling Top is designed to deliver high volume and fast heat.

- ✔ Powerful heavy-duty cast iron 2.6kW square hotplates deliver fast responsive heat
- ✔ Fully pressed sealed hob for easy cleaning

Specifications

Summary **Power and Performance**

<p>Brand Lincat</p> <p>Range Opus 800</p> <p>Power Type Electric</p> <p>Unit Type Counter-top</p> <p>Available in UK Only No</p> <p>UK Warranty 2 Years Parts and Labour Warranty</p> <p>Export Warranty Contact your local dealer</p> <p>GTIN 5056105102397</p>	<p>Total Power kW 10.4</p> <p>IP Rating IP34</p> <p>Temperature Control Mechanical</p> <p>Rating per Hob kW 2.6</p>
--	---

Key Specifications **Weights and Dimensions**

<p>Number of Hobs 4</p> <p>Shape of Hob Square</p>	<p>Unit Height (External) mm 325</p> <p>Unit Width (External) mm 600</p> <p>Unit Depth (External) mm 800</p> <p>Hob Dimensions mm 220 x 220</p> <p>Net Weight Kg 60</p>
--	--

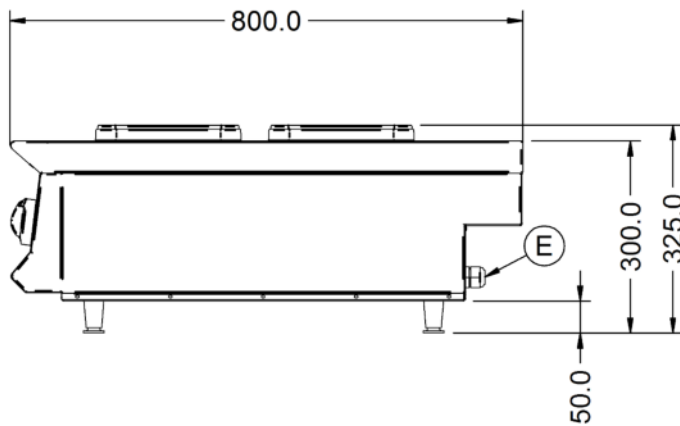
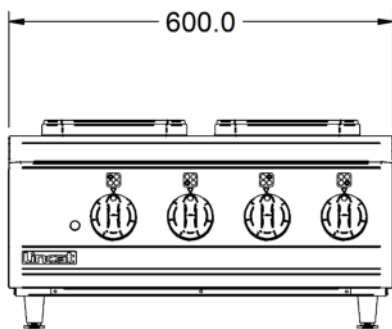
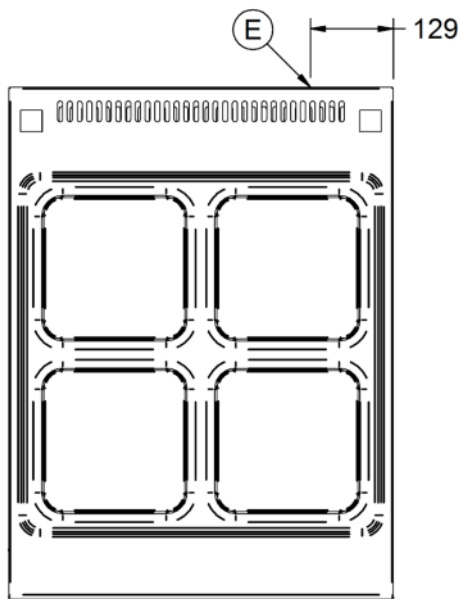
Supply Connections **Shipping**

<p>Requires Installation Yes</p> <p>Requires Electrical Supply Yes</p> <p>UK 3 Pin Plug No</p> <p>Requires Hardwiring Yes</p> <p>Electrical Supply Rating Watts 10,400</p> <p>Three Phase Amps L1=22.6; L2=22.6; L3=N/A</p> <p>Three Phase Voltage 400</p>	<p>Packed Weight Kg 66</p> <p>Packed Height cm 46</p> <p>Packed Width cm 70</p> <p>Packed Depth cm 85</p>
---	---

Available Accessories

LK11	OPUS 800 LONG LEG KIT
OA8917	Lincat Opus 800 Free-standing Floor Stand with Legs - for units W 600 mm
OA8917/C	Lincat Opus 800 Free-standing Floor Stand with Castors - for units W 600 mm

Technical Picture



Lincat Limited

Whisby Road,
Lincoln, LN6 3QZ,
United Kingdom

Company No: 2175448

A member company of



Customer Care

Tel: +44 1522 875500
Email: care@lincat.co.uk

Export Customers

Tel: +44 1522 875536
Email: export@lincat.co.uk

Opening Hours

Monday – Friday:
8.30am – 5pm