



OE8108/OP - Lincat Opus 800 Electric Free-standing Single Tank Fryer with Pumped Filtration - 2 Baskets - W 600 mm - 22.0 kW

An accurate Opus 800 Single-Tank Free Standing Electric Fryer which comes with a pumped oil filter system.

- ✓ Accurate thermostatic control up to 190°C for consistent results and safe operation
- ✓ Two stage filtration extends oil life by up to 75% and so reducing oil costs
- ✓ Oil can be filtered during or after service even whilst hot
- ✓ Hinged, lift out element, with safety interlock for easy tank access and cleaning
- ✓ Supplied with a hose and lance for easy discharge of used oil into a container

Specifications

Summary		Power and Performance	
Brand	Lincat	Total Power kW	22.0
Range	Opus 800	Temperature Range °C	90-190
Power Type	Electric	IP Rating	IP24
Unit Type	Free-standing	Temperature Control	Mechanical
Available in UK Only	No		
UK Warranty	2 Years Parts and Labour Warranty		
Export Warranty	Contact your local dealer		
GTIN	5056105102939		

Key Specifications		Capacity	
Number of Baskets	2	Product Output per Hour	50.2kg chips - 12mm [frozen], 65.5kg chips - 12mm
Number of Tanks	1	Capacity Litres	36.5
Gravity Filtration	No		
Pumped Filtration	Yes		
Drain Location	Through the body		

Weights and Dimensions		Supply Connections	
Unit Height (External) mm	1070	Requires Installation	Yes
Unit Width (External) mm	600	Requires Electrical Supply	Yes
Unit Depth (External) mm	800	UK 3 Pin Plug	No
Net Weight Kg	102.1	Requires Hardwiring	Yes
		Electrical Supply Rating Watts	22,000
		Three Phase Amps	L1/L2/L3= 31.8 [1 cab]; L1/L2/L3= 2 x 15.9 [2 cab]
		Three Phase Voltage	400

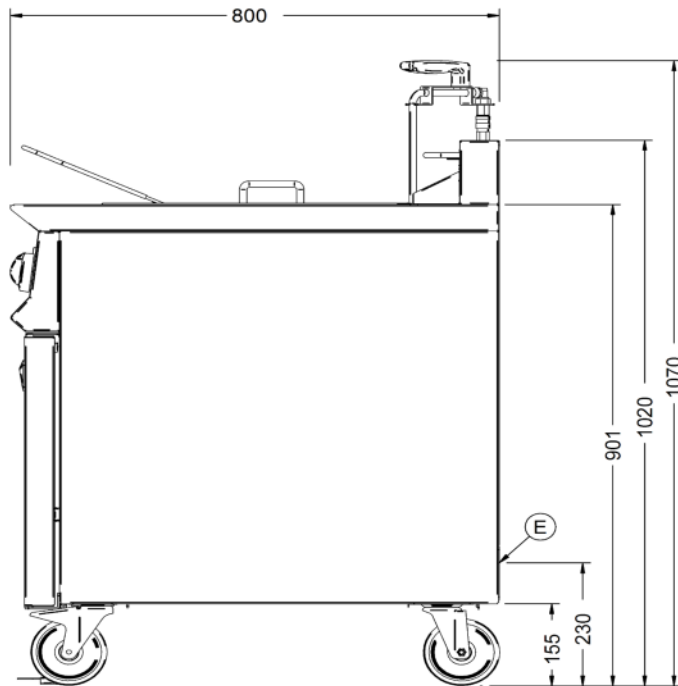
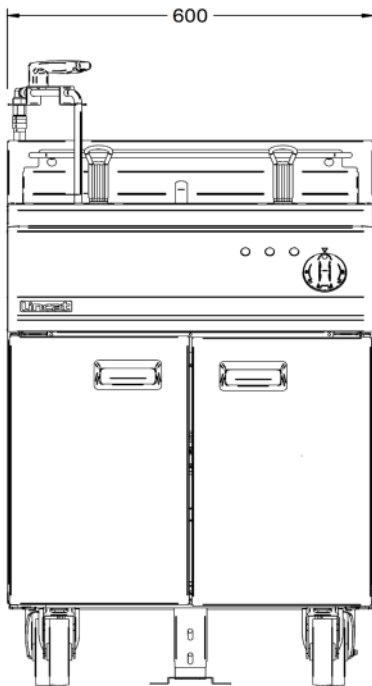
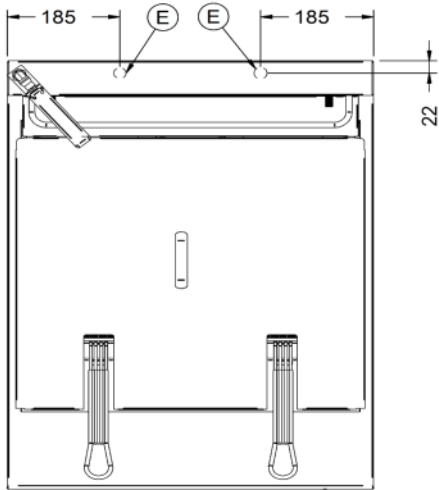
Shipping	
Packed Weight Kg	112.31
Packed Height cm	122
Packed Width cm	70
Packed Depth cm	85

Available Accessories

Available Accessories

LK02	OPUS 350 LEG KIT
OA8954	SPLASHGUARD FOR OPUS 800 ELECTRIC FRYERS

Technical Picture





Lincat Limited

Whisby Road,
Lincoln, LN6 3QZ,
United Kingdom

Company No: 2175448

A member company of



Customer Care

Tel: +44 1522 875500
Email: care@lincat.co.uk

Export Customers

Tel: +44 1522 875536
Email: export@lincat.co.uk

Opening Hours

Monday – Friday:
8.30am – 5pm