



## LRG2 - Lincat Lynx 400 Electric Counter-top Twin Ribbed Grill - Ribbed Upper & Smooth Lower Plates - W 623 mm - 4.5 kW

Heat food rapidly and seal in all the juices and flavour with the Twin-Head 2 x 2.25kW Lynx 400 Electric Ribbed Grill which comes with both ribbed and smooth plates.

- ✓ Twin head model with ribbed upper plates and smooth lower plates - ideal where space is limited
- ✓ Fast heat up from cold
- ✓ Enamelled cast iron plates give excellent heat retention and are easy to clean
- ✓ 1 kW element in upper plate and 1.25 kW in lower plate gives balanced cooking - no need to turn food
- ✓ Thermostatic control for accurate repeatable results
- ✓ Ideal for fast cooking of meat products
- ✓ Well balanced, smooth action mechanism with positive "park" position for safe and easy operation
- ✓ Supplied with two cables and two plugs for easy installation

### Specifications

#### Summary

<b>Brand</b>	Lincat
<b>Range</b>	Lynx 400
<b>Power Type</b>	Electric
<b>Unit Type</b>	Counter-top
<b>Available in UK Only</b>	No
<b>UK Warranty</b>	2 Years Parts and Labour Warranty
<b>Export Warranty</b>	Contact your local dealer
<b>GTIN</b>	5056105101147

#### Power and Performance

<b>Total Power kW</b>	4.50
<b>IP Rating</b>	IP23
<b>Cooking Area (Width x Depth) mm</b>	[2x] 264 x 250
<b>Temperature Control</b>	Mechanical

#### Key Specifications

<b>Top Grill Plate Surface Type</b>	Ribbed
<b>Grill Plate Surface Type</b>	Smooth
<b>Grill Plate Material</b>	Iron

#### Weights and Dimensions

<b>Unit Height (External) mm</b>	182
<b>Unit Width (External) mm</b>	623
<b>Unit Depth (External) mm</b>	400
<b>Net Weight Kg</b>	40.8

#### Supply Connections

<b>Requires Installation</b>	No
<b>Requires Electrical Supply</b>	Yes
<b>UK 3 Pin Plug</b>	Yes
<b>Requires Hardwiring</b>	No
<b>Electrical Supply Rating Watts</b>	4,500
<b>Single Phase Amps</b>	19.6
<b>Single Phase Voltage</b>	230

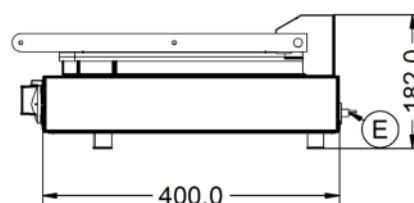
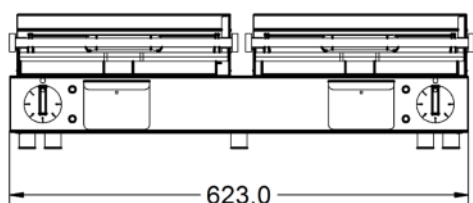
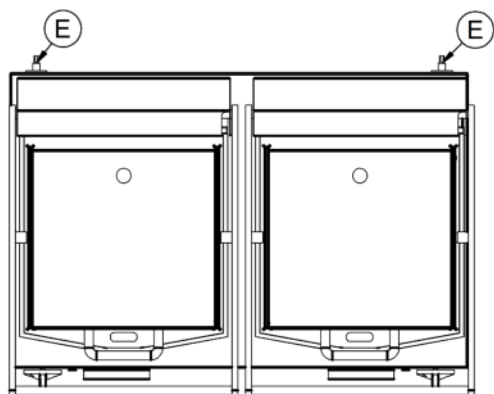
#### Shipping

<b>Packed Weight Kg</b>	44.88
<b>Packed Height cm</b>	36
<b>Packed Width cm</b>	73
<b>Packed Depth cm</b>	61

### Available Accessories

<b>OS2</b>	OMELETTE SPACER - FOR LCG, LCG2, LPG, LPG2, LRG, LRG2
------------	---

Technical Picture



**Lincat Limited**

Whisby Road,  
Lincoln, LN6 3QZ,  
United Kingdom

**Company No:** 2175448

A member company of



**Customer Care**

**Tel:** +44 1522 875500  
**Email:** care@lincat.co.uk

**Export Customers**

**Tel:** +44 1522 875536  
**Email:** export@lincat.co.uk

**Opening Hours**

**Monday – Friday:**  
8.30am – 5pm