



OE8113/OP - Lincat Opus 800 Electric Free-standing Twin Tank Fryer with Pumped Filtration - 2 Baskets - W 600 mm - 24.0 kW

An accurate Opus 800 Twin-Tank Free Standing Electric Fryer which comes with two independent fryer tanks for greater versatility and a pumped oil filter system.

- ✔ Two independent fryer tanks for greater versatility
- ✔ Accurate thermostatic control up to 190°C for consistent results and safe operation
- ✔ Pumped oil return enables the oil to be filtered and the fryer ready for use again in less than five minutes - safe and convenient
- ✔ Oil can be filtered during or after service even whilst hot
- ✔ Hinged, lift out element, with safety interlock for easy tank access and cleaning

Specifications

Summary		Power and Performance	
Brand	Lincat	Total Power kW	24.0
Range	Opus 800	Temperature Range °C	90-190
Power Type	Electric	IP Rating	IP24
Unit Type	Free-standing	Temperature Control	Mechanical
Available in UK Only	No		
UK Warranty	2 Years Parts and Labour Warranty		
Export Warranty	Contact your local dealer		
GTIN	5056105102977		

Key Specifications		Capacity	
Number of Baskets	2	Product Output per Hour	64kg chips - 12mm [frozen], 84kg chips - 12mm [chi]
Number of Tanks	2	Capacity Litres	2 x 15.0
Gravity Filtration	No		
Pumped Filtration	Yes		
Drain Location	Through the body		

Weights and Dimensions		Supply Connections	
Unit Height (External) mm	1070	Requires Installation	Yes
Unit Width (External) mm	600	Requires Electrical Supply	Yes
Unit Depth (External) mm	800	UK 3 Pin Plug	No
Net Weight Kg	104	Requires Hardwiring	Yes
		Electrical Supply Rating Watts	24,000
		Three Phase Amps	L1/L2/L3= 34.8 [1 cab]; L1/L2/L3= 2 x 17.4 [2 cab]
		Three Phase Voltage	400

Shipping	
Packed Weight Kg	114.4
Packed Height cm	122
Packed Width cm	70
Packed Depth cm	85

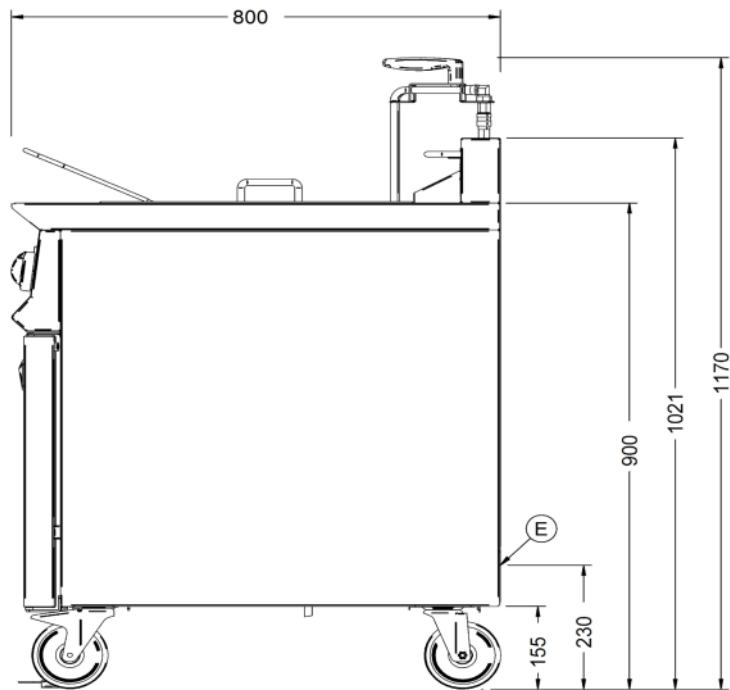
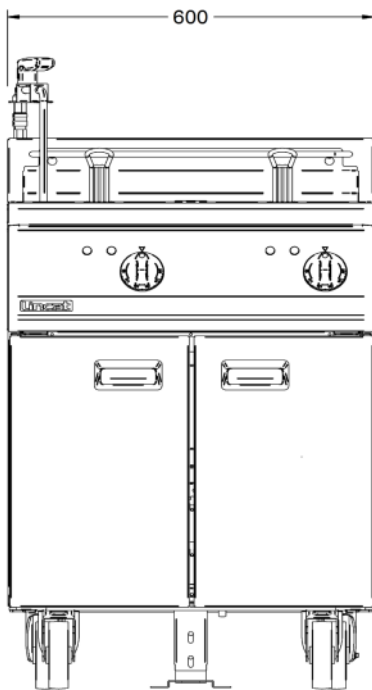
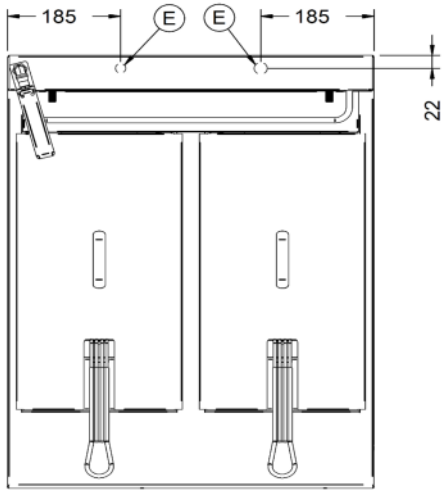
Available Accessories

Available Accessories

OA8954

SPLASHGUARD FOR OPUS 800 ELECTRIC FRYERS

Technical Picture





Lincat Limited

Whisby Road,
Lincoln, LN6 3QZ,
United Kingdom

Company No: 2175448

A member company of



Customer Care

Tel: +44 1522 875500
Email: care@lincat.co.uk

Export Customers

Tel: +44 1522 875536
Email: export@lincat.co.uk

Opening Hours

Monday – Friday:
8.30am – 5pm