



LRB2 - Lincat Lynx 400 Electric Counter-top Bain Marie - Dry Heat - inc. 2 x Round Pots - W 565 mm - 0.5 kW

Keep your sauces, soups and gravy at the ideal serving temperature with the Lynx 400 Dry Heat Bain Marie which comes with 2 x 4.5 litre round container and lids.

- ✔ Dry heat bain marie
- ✔ 2 x 4.5ltr round container with lids are included
- ✔ Ideal for holding foods for longer periods of time
- ✔ Plug and play for an easy installation

Specifications

Summary

| | |
|-----------------------------|-----------------------------------|
| Brand | Lincat |
| Range | Lynx 400 |
| Power Type | Electric |
| Unit Type | Counter-top |
| Available in UK Only | No |
| UK Warranty | 2 Years Parts and Labour Warranty |
| Export Warranty | Contact your local dealer |
| GTIN | 5056105101321 |

Power and Performance

| | |
|----------------------------|------------|
| Total Power kW | 0.50 |
| IP Rating | IP23 |
| Temperature Control | Mechanical |

Key Specifications

| | |
|---------------------|-----------|
| Pot Type | Round pot |
| Type of Heat | Dry |

Capacity

| | |
|------------------------|---------|
| Capacity Litres | 2 x 4.5 |
|------------------------|---------|

Weights and Dimensions

| | |
|----------------------------------|------|
| Unit Height (External) mm | 240 |
| Unit Width (External) mm | 565 |
| Unit Depth (External) mm | 400 |
| Net Weight Kg | 10.9 |

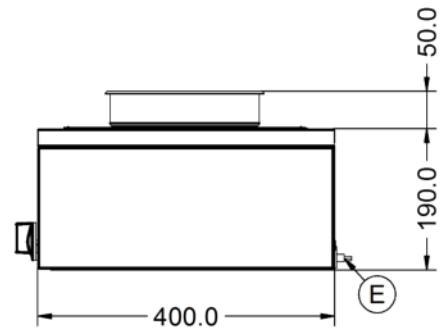
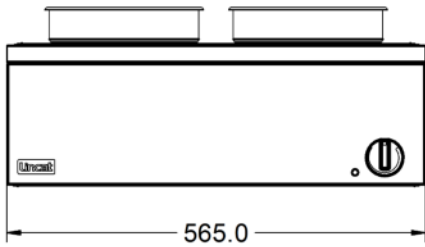
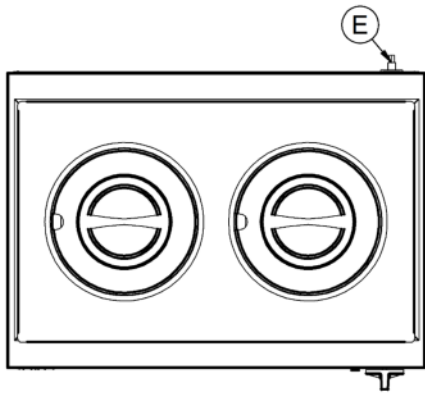
Supply Connections

| | |
|---------------------------------------|-----|
| Requires Installation | No |
| Requires Electrical Supply | Yes |
| UK 3 Pin Plug | Yes |
| Requires Hardwiring | No |
| Electrical Supply Rating Watts | 500 |
| Single Phase Amps | 2.2 |
| Single Phase Voltage | 230 |

Shipping

| | |
|-------------------------|-------|
| Packed Weight Kg | 11.99 |
| Packed Height cm | 49.5 |
| Packed Width cm | 70 |
| Packed Depth cm | 55 |

Technical Picture



Lincat Limited

Whisby Road,
Lincoln, LN6 3QZ,
United Kingdom

Company No: 2175448

A member company of



Customer Care

Tel: +44 1522 875500
Email: care@lincat.co.uk

Export Customers

Tel: +44 1522 875536
Email: export@lincat.co.uk

Opening Hours

Monday – Friday:
8.30am – 5pm