

Combi steamer
FlexiCombi
Electric combi steamer FlexiCombi Classic 6.2 MAXI
MKN-No.: FKECOD621C



world of cooking

Features

- analogue setting and digital display for cooking temperature, humidity, cooking time and core temperature
- **Manual operation concept** with 6 cooking modes: SoftSteaming, Steaming, ExpressSteaming, Convection, CombiSteaming and Perfection
- 100 cooking processes can be saved
- **DynaSteam** – dynamic process-oriented steam quantity adjustment depending on product load
- dynamic autoreverse fan for extremely uniform cooking results
- 5 fan speeds programmable, even 10 speeds in connection with fan intervals
- fan safety brake
- integrated grease separation system
- **hygienic cooking chamber door with sealed triple glazing**
- right hand hinged door
- **hygienic cooking chamber** of corrosion resistant stainless steel
- **ClimaSelect** – Climate control in steps of 25 %
- **Ready2Cook** – preheating, cooling down, climate preparation
- internal core temperature measurement (up to 99 °C)

Accessories

- hanging rack, standard configuration, 6 shelf inserts for GN 2/1, with tilt protection for containers, distance between insert levels 65 mm



FKECOD621C



Option

- **WaveClean** – automatic cleaning system, siphon is included with the appliance
- **integrated shower hose**
- Left hand hinged door
- Two position safety door lock
- Internal multipoint core temperature probe
- Connection for external multipoint core temperature probe (cannot be retrofitted)
- IPX 6 – Protection against strong jets of water
- Marine version
- USPH version on request
- Prison version
- Special voltage
- Interface for connection to an energy optimization system according to DIN 18875 and potential free contact

Product safety

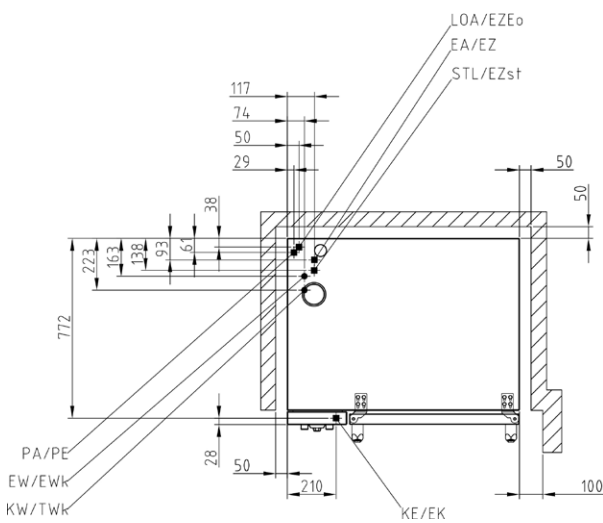
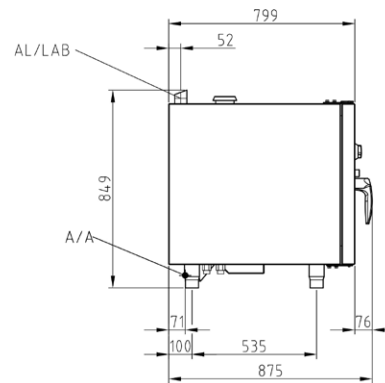
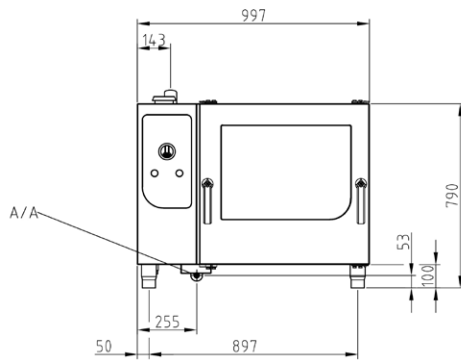


Combi steamer
FlexiCombi
 Electric combi steamer FlexiCombi Classic 6.2 MAXI
 MKN-No.: FKECOD621C



world of cooking

FKECOD621C



Please find detailed information at
www.mkn.com/en/login

General installation interfaces

Interfaces provided on site

- Electricity connection (EA/EZ)
- Connection to cold water mains (KW/TWk)
- Soft water (EW/EWk)
- Waste water connection (A/A)
- Exhaust air (AL)

Appliance dimensions (LxWxH) (mm)	997 x 799 x 790
Housing material	1.4301
Dimensions incl. packing (LxWxH ²)(mm)	1020 x 1220 x 1090
Net weight (kg)	125
Gross weight (kg)	145
max. load weight (kg)	50
Installation instructions; safety clearance in mm	
at the rear	50
left and right respectively	50
recommended clearance for service purposes	500
when the rack trolley is parked on the left	800
Clearance to heat sources on the left	500
Clearance to deep fat fryers on the left and right respectively	at least the length of the hand shower

Combi steamer

FlexiCombi

Electric combi steamer FlexiCombi Classic 6.2 MAXI

MKN-No.: FKECOD621C



world of cooking

FKECOD621C

Capacity	
Quantity of cooked food (kg)	6x 15
Shelf inserts	6
GN 1/1 (530 x 325 x 65 mm)	12
GN 2/1 (530 x 650 x 65 mm)	6
FlexiRack (530 x 570 x 65 mm)	6
Plates (Ø 28 cm on FlexiRack grids)	24
Plates (Ø 32 cm – plate rack trolley)	22
Meals per day	60 - 160

Electricity supply (380 V)	
Nominal power consumption (kW)	18.9
Voltage (V)	380 3 (N)PE AC
Fuse protection (A)	3 x 35
Frequency range (Hz)	50 / 60

Electricity supply (400 V)	
Nominal power consumption (kW)	20.9
Voltage (V)	400 3 (N)PE AC
Fuse protection (A)	3 x 35
Frequency range (Hz)	50 / 60

Electricity supply (415 V)	
Nominal power consumption (kW)	22.5
Voltage (V)	415 3 (N)PE AC
Fuse protection (A)	3 x 35
Frequency range (Hz)	50 / 60

Electricity supply (440 V)	
Nominal power consumption (kW)	20.9
Voltage (V)	440 3 (N)PE AC
Fuse protection (A)	3 x 35
Frequency range (Hz)	50 / 60

Drinking water cold (KW/TWK)	
Water pressure (bar)	2 - 6
Connection size	DN 20 (G ¾" A)
Quality mmol/l (°dH)	< 4 (22.2)
Consumption cleaning (l)	32

Soft water (EW/EWk)	
Water pressure (bar)	2 - 6
Connection size	DN 20 (G ¾" A)
Quality mmol/l (°dH)	< 0.9 (5)
Consumption steaming (l/h)	21
Consumption combisteaming (l/h)	4.6
Consumption cleaning (l)	3

Waste water (A/A)	
Volume flow max. (l/min.)	10
Connection size	DN 50
Quality	max. 80 °C

According to VDI 2052 with a connection voltage of 400 V.

Operated without steam condensate hood	
Heat emission latent (W)	3762
Heat emission sensitive (W)	2508
Steam output (g/h)	5539

Operated with FlexiCombi Air condensation hood	
Heat emission latent (W)	1129
Heat emission sensitive (W)	2508
Steam output (g/h)	1662

Noise level (db (A))	< 70
Type of protection	IPX5

Combi steamer
FlexiCombi
 Electric combi steamer FlexiCombi Classic 6.2 MAXI
 MKN-No.: FKECOD621C



world of cooking

FKECOD621C

Further features

- one hand door handle
- non-contact door switch, door lock positions with end stop
- insertable door seal – end user replaceable
- drip pan with permanent drainage
- cooking chamber with halogen lighting behind shockproof glass
- manual cleaning programme (does not apply to WaveClean option)
- maintenance instructions for external water filters
- energy supply as required
- reduced heat output (E/2)
- **Integrated heat exchanger**
- HACCP basic version
- integrated HACCP memory
- timer with start time pre-selection
- manual steam injection/humidification
- USB interface, e.g. for software updates**
- loudspeaker, adjustable tone control
- audible signal after cooking time has elapsed
- Potential free contact for external steam condensate hood
- direct waste water connection according to DVGW is possible

Special equipment

216232	Cabinet frame open on all sides (1000 x 655 x 850 mm)
216251	Cabinet closed on three sides (1000 x 696 x 850 mm)
FKE_AIR_6_10	FlexiCombi Air condensation hood
FKE_AIR_KIT_TEAM	FlexiCombi Air condensation hood for electric stacking kits
845906	Stacking kit for electric table top appliances (6.x + 10.x / 6.x + 6.x)
216243	Cabinet frame open on all sides, 270 mm high (6.x + 6.x)

2/1 GN trays (please refer to accessories brochure)

202388	Granite enamelled tray, 20 mm deep
10017317	Granite enamelled tray, 40 mm deep
202390	Granite enamelled tray, 65 mm deep
202383	Baking tray – perforated Roasting tray
202386	Roasting tray – non-perforated
206103	Grid
202065	Container, non-perforated, 20 mm deep
202070	Container, non-perforated, 40 mm deep
202066	Container, non-perforated, 65 mm deep
202072	Container, non-perforated, 100 mm deep
202380	Container, perforated, 40 mm deep
202381	Container, perforated, 60 mm deep
202382	Container, perforated, 95 mm deep
216261	Plate rack
216114	Roll-in rack for GN 2/1 crosswise insertion
216264	Transport trolley rack, 850 mm high
850256	Roll-in frame for transport trolley rack
201790	Thermal insulation cover
TWO_IN_ONE	WaveClean two-in-one cleaning cartridge
303326	Detergent (10 litre canister)
303323	Manual spray gun

** without surcharge under www.mkn.com

MKN Maschinenfabrik
 Kurt Neubauer GmbH & Co. KG
 Halberstaedter Strasse 2a
 38300 Wolfenbuettel / Germany

Phone +49 (0)5331 89-0
 Fax +49 (0)5331 89-280
 E-mail verkauf@mkn.de
www.mkn.com



Please find detailed information at www.mkn.com/en/login

Subject to technical modifications!
 Version: 8.04.2020