



Minirack

EVOLUTION RANGE

Market leading rack machines with proven design

Minirack

EVOLUTION RANGE

The next step for flexibility, reliability and performance.

Minirack offers the most economical solution for volume warewashing in terms of footprint, manpower and cost.



No Compromise

Warewashing for catering establishments requires that equipment is versatile and provides superb results. The Maidaid Evolution range gives a high level of efficiency in the use of energy and reduced water consumption without compromising results.

Higher Capacity

Struggling with capacity of a pass through machine or tempted to purchase another single pass through or double hood type machine, STOP. Consider the considerable advantages the Minirack Evolution will provide. Capacity up to 270 racks (4,300 plates) per hour consuming less than 1.2 litres of water per rack.

The details that make the difference



The tank design avoids build-up of food debris and allows extremely quick cleaning



The integral top strainer retains most food scraps



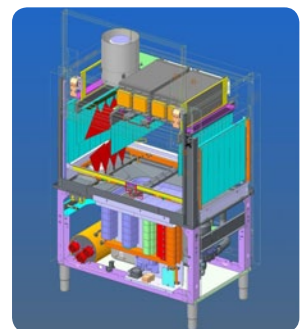
Improved entrance height, now 450mm with an entrance width of 540mm



Only 4 soft touch controls, simple to operate, clear easy read display. Gives comprehensive information only when required



The integral double skin construction reduces heat loss and noise, thus contributing to healthier working conditions



General scheme of R3010 and R3020 showing principal operational areas



So much more than just a dishwasher

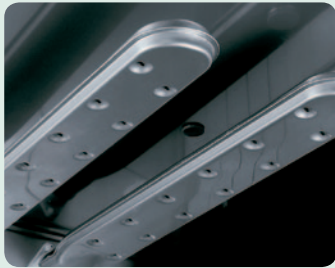
Among the most energy efficient rack machines available, the **Minirack Evolution** range includes a dual tank model offering a pre-wash section giving improved results for higher volume throughput ▶



Illustration shows optional in-line dryer

▲ The **Minirack Evolution R3010** shown above features a straight run through arrangement with optional dryer

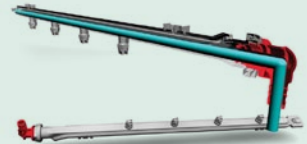
Innovative water blade technology



Minirack Hydro wash arms deliver a cutting and brushing action for maximum washing effect



Dual flow wash pumps deliver maximum washing power without interruption



Minirack Evolution reduces rinse water consumption due to redesigned rinse system using latest co-polymer materials combined with stainless steel spray jets reducing water consumption to as little as 1.2 litres per rack

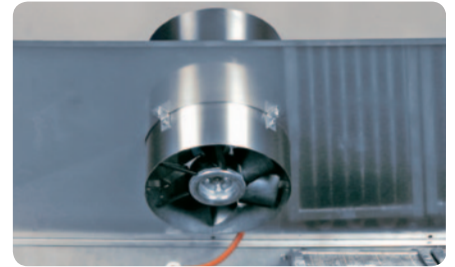
The options to enhance your machine



Inline dryer module – provides effective product drying for immediate reuse or storage



Corner dryer module – allows integrated dryer for the tightest corner and U shaped installations



Exhaust Outlet – installed in the space above the machine, extracts the steam to an outlet collar

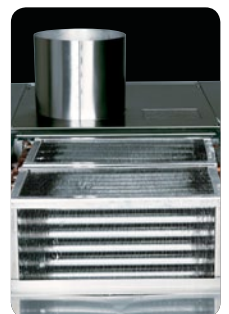


Corner pre-wash module – allows integrated unit for the tightest corner and U shaped installations. Available as an inline version



New draw style filter tray available as an option on all models, improves the wash water quality during operation by providing another scrap filter that can be removed without having to drain down

Optional heat exchanger recovers useful energy from the steam which is used to preheat incoming cold water for the rinse section from 15°C to approximately 40°C. Fits within machines base dimensions.



Aluminium/copper combination as standard arrangement, stainless option available for R/O supplies

Note: Optional modules must be ordered with machine and are not suitable for retro fitting

The Minirack Evolution...



A quick guide to the Minirack models:

Minirack R3010

Compact two speed single tank machine with breaktank washes up to 120 racks per hour and ideal for medium sized sites.

Minirack R3020

Compact four speed single tank machine with breaktank washes up to 160 racks per hour for sites requiring a faster throughput. Includes dedicated glass washing cycle.

Minirack R3030

Compact three speed dual tank machine with breaktank washes up to 270 racks per hour. Deals with higher level of soiled products due to its pre-wash module.

To complete the installation of a Minirack, Maida Halcyon also offer a wide range of inlet, exit tabling and accessories.

Also a wide range of racks to suite site requirements are available.



... washes perfectly

- R3010 & R3020 at only 115cm long, capacity of 120 & 160 racks per hour out performs many larger machines
- Wash arms engineered for maximum soil removal and energy efficiency

... predictability

- With a powerful rinse boiler and thermal interlock the results are predictably good from start to finish

... is quiet

- With double wall construction and insulated full width doors operating noise is kept at a maximum of 70db

... can be cleaned in seconds

- Optional draw filter now gives triple filter system protection for wash water to enhance performance
- Draw type surface tray filter removable for cleaning during service
- Surface tank strainer with removable debris basket and final safety filter protecting wash pump inlet

... is reliable

- Innovative design allows complete frontal access to all parts
- Self diagnosis system identifies component failure

... is economic to run

- Water consumption down to as little as 1.2 litres per rack
- Timed wash run on, rinse economiser and table end stop switch all make the Minirack extremely economical
- Large savings on electrical consumption, detergent and rinse aid

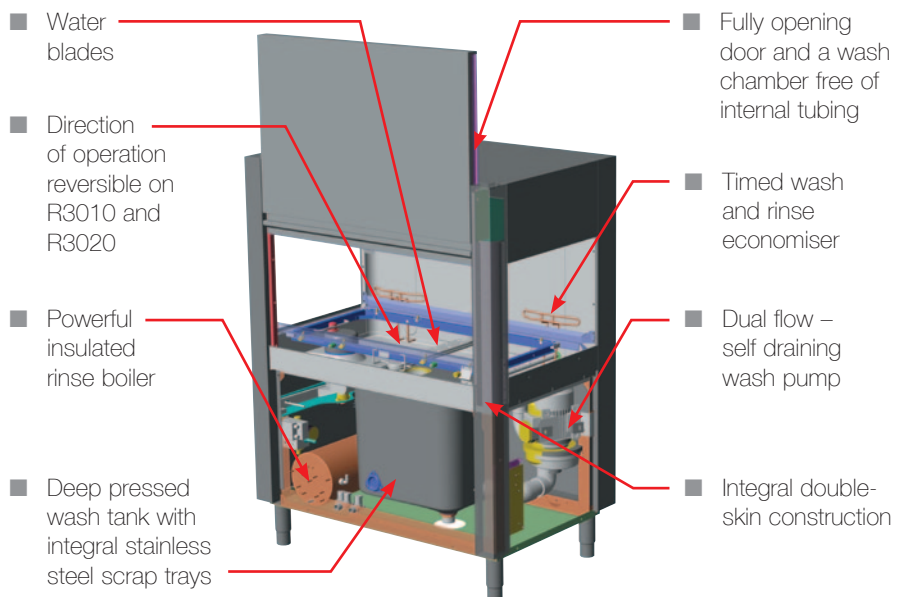
... has at-a-glance displays

- Single screen digital display and soft touch controls leave the operator in control
- Display gives additional information to facilitate installation and aid service

... dries efficiently

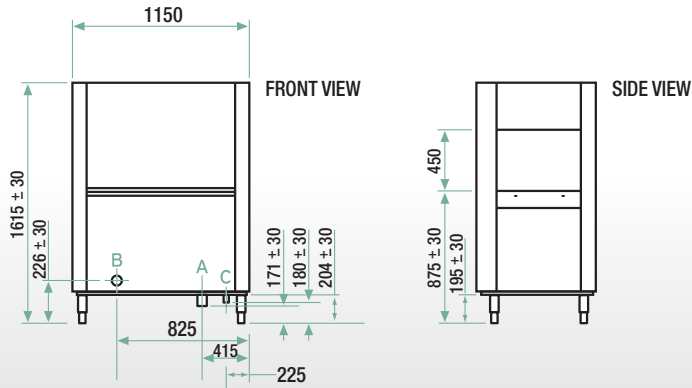
- The optional driers use a powerful stream of hot air to remove the majority of remaining rinse water and leave the product warm to aid final drying
- Specifying the optional heat recovery module, 6 kWh of energy is recovered and used to preheat incoming cold water for the rinse system.

Minirack Evolution main features



For details of accessories to the Minirack Evolution Range please contact us on 0345 130 8070

The Minirack installation diagrams



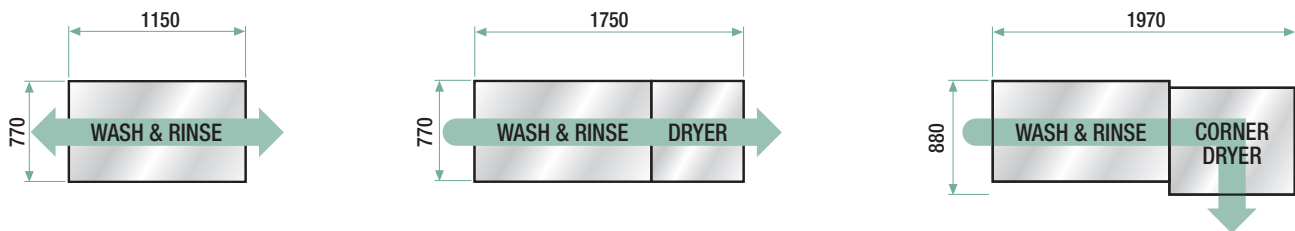
- Basic dimensions for the R3010, R3020 & R3030 are given on this page
- Drainage, fill and cable feed points are the same for left to right or right to left operation on R3010 & R3020 models
- A full range of dimensional drawings including optional modules are available on request or visit maidaid.co.uk for downloads

A		Drain connection 50mm Male spigot Flexible drain hose supplied Suitable for hard drainage
---	--	---

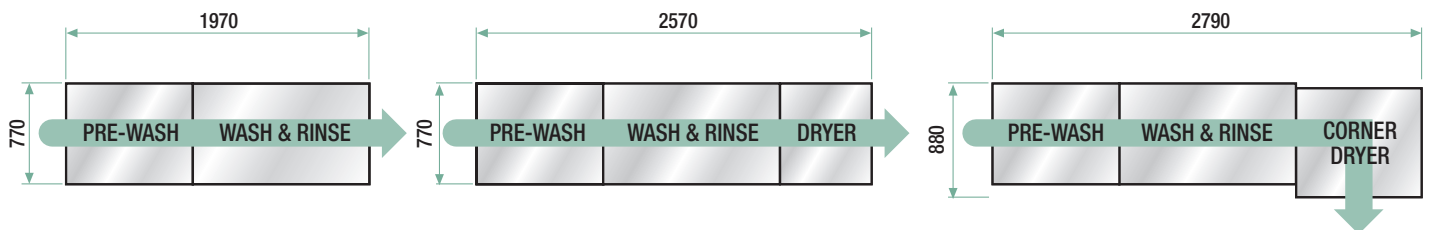
B		Water inlet connection 3/4" BSPM
---	--	----------------------------------

C		Electric supply three phase, neutral and earth Cable not supplied
---	--	---

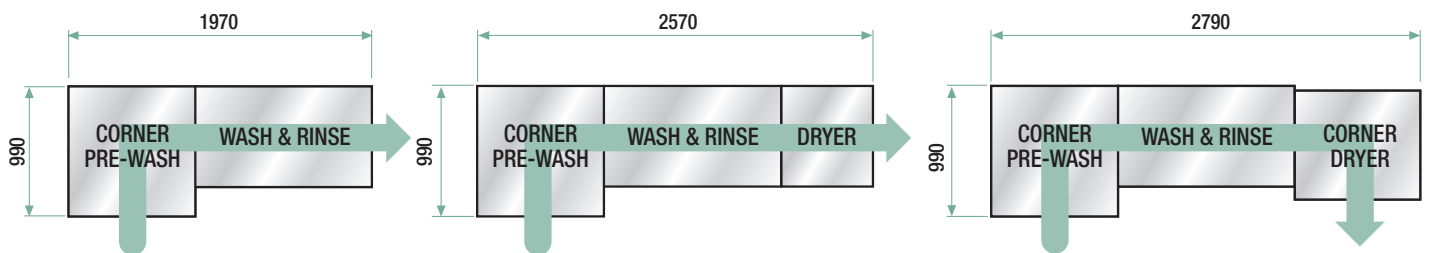
Minirack R3010 & R3020 – Single Tank Rack Conveyor



Minirack R3030 – Dual Tank Rack Conveyor



Minirack R3030 – Dual Tank Rack Conveyor (corner pre-wash)



Indicates direction of operation (dirty to clean). All Minirack Evolution models can be ordered running in either direction but must be specified at time of order. Only R3010 and R3020 without additional modules can be reversed once ordered.

For details of accessories to the Minirack Evolution Range
please contact us on 0345 130 8070

Technical data

			R3010	R3020	R3030
Physical	Width	mm	1150	1150	1970
	Height	mm	1615 ± 30	1615 ± 30	1615 ± 30
	Height with exhaust, for dryer or heat recovery	mm	1825 ± 30	1825 ± 30	1825 ± 30
	Exhaust diameter	mm	250	250	250
	Height with door open	mm	2088 ± 30	2088 ± 30	2088 ± 30
	Depth	mm	770	770	770
	Weight (net)	kg	178	187	302
	Tunnel Inlet (height x width)	mm	450 x 540	450 x 540	450 x 540
Racks	Size	mm	500	500	500
	Racks per hour	No.	60-120	60-120-160 + glass cycle	110-200-270 + glass cycle
	Plate rack (18 plates)	No.	1	1	1
	Open cup/glass rack	No.	1	1	1
	Cutlery insert	No.	1	1	1
	Plates per hour (18 per rack) – max	No.	2160	2880	4860
Water	Inlet	bsp	¾"	¾"	¾"
	Dynamic pressure min	bar	1 to 4	1 to 4	1 to 4
	Water hardness	°f	7 to 5	7 to 5	7 to 5
	Drain spigot	mm	500	500	500
	Minimum consumption per rack	litres	1.3	1.2	1.2
	Maximum consumption – continuous operation	litres/hour	160	200	320
	Wash tank capacity	litres	70	70	70
	Wash tank temperature – adjustable	°C	60	60/63	60/63
	Pre-wash tank capacity	litres	N/A	N/A	70
	Rinse boiler capacity	litres	17	17	17
Rinse boiler temperature – adjustable	°C	82	82 (65 Glass)	82 (65 Glass)	
Electric	Voltage	V	415	415	415
	Phase		3+N+E	3+N+E	3+N+E
	Wash pump(s)	kW	1.5	1.5	2 x 1.5
	Wash tank element	kW	10.5	10.5	10.5
	Rinse boiler elements – Hot water supply (45 to 60°C)	kW	9.5	10.5	2 x 8
	Rinse boiler elements – Cold water supply (10 to 45°C)	kW	2 x 8	3 x 8	3 x 10.5
	Rinse boiler elements – Cold water supply with heat recovery	kW	2 x 6	1 x 8 + 1 x 6	1 x 8 + 2 x 6
	Total loading – Hot water supply	kW	22	23.2	30.2
	Total loading – Cold water supply	kW	28.5	34.7	45.7
	Total loading – Cold water supply with heat recovery	kW	24.7	26.9	34.4

Additional modules

Dryer	In line dryer additional length	mm	600
	Corner dryer additional length	mm	820
	Air movement	m ³ /hour	1400
	Voltage (phase)	V	415 (3+N+E)
	Heating elements	kW	6
	Fan power	kW	0.55
	Temperature of blown air	°C	65
Heat Recovery	Air movement	m ³ /hour	700
	Fan power	kW	0.18
	Temperature recovery from 15°C	°C	+25

Quality Control

Quality of product and after-sales service is based on the operation of systems to the internationally recognised quality standard BS EN ISO 9002. However, above all else, quality of service results from the abilities, motivation and teamwork of people within the company.

All Maidaid Halcyon equipment carries the European 'CE' identification. The 'CE' mark signifies that all glasswashers and dishwashers will have been subjected to a thorough examination of all circuitry, components, electromagnetic compatibility and overall safety.



Maidaid Halcyon

The Engine Shed, Top Station Road
Brackley, Northants NN13 7UG

Telephone **0345 1308070**

Telefax **01280 845340**

Email **sales@maidaid-halcyon.co.uk**

Web **maidaid.co.uk**

Your Local Distributor

112210