



Model

NS300A

Product Description

Slicer, 300mm / 12", Automatic, Heavy Duty

Product Code

5S514N



Standard Features

- Automatic slicer designed to cut large quantities of food. Suited to large restaurants, supermarkets, delis, butchers and central production kitchens / canteens, where high volume of meat types is required, and precise control of the automatic slicing feature is necessary
- Two independent motors (one for blade and one for carriage movement)
- Can be used as a fully automatic slicer or switches to manual
- Simple, intuitive touch control panels allow for the selection of multiple slicing options
- Hollow ground chromed carbon steel blade
- Easy set thickness control allows for precision slicing
- Made from high polished, anodised food grade aluminium for durability and hygiene
- Large base to ensure slicer has a large capacity to cope with large products
- Ergonomic design with smooth rounded edges to allow for fast and easy cleaning and improved levels of hygiene
- Fully interlocked and safe guarded for full compliance of CE legislation. This ensures all-round blade protection for the ultimate user safety during cleaning
- Built-in, self-aligning sharpening and de-burring unit
- Table / carriage, blade cover, blade and sharpening unit are detachable for easy, safe cleaning
- Optional voltages and frequencies available on request
- CE Approved

Standard Accessories

- 1 x Knife Remover
- 1 x Flat Head Screwdriver
- 1 x Tasteless Oil

Warranty

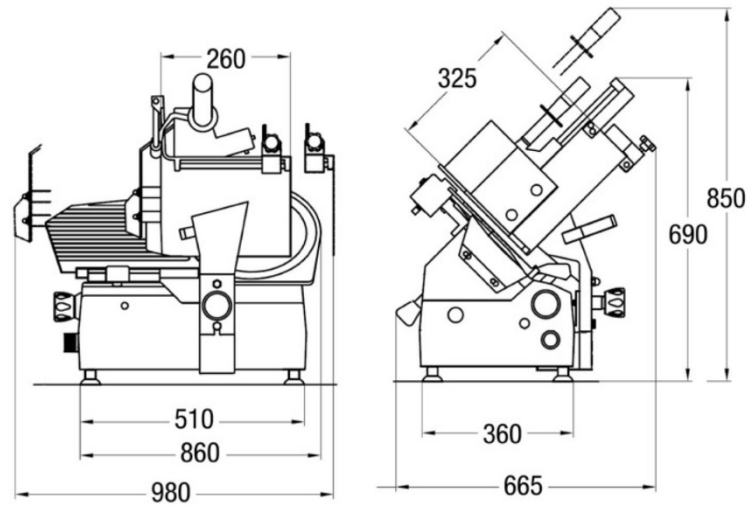
Covered by Metcalfe 2-year warranty (1st year parts and labour, 2nd year parts only) and full after sales service

Optional Accessories

Item
Stainless Steel Knife Remover
Stainless Steel Guard
Aluminium Knobs
Plastic Cover – Medium
Slice Counter

Item
Serrated Blade
Painting Customisation
Vegetable Cutting Tube
Teflon Coated Parts (Blade Cover, Gauge Plate, Blade)

Drawing



Specifications

Model	Blade (mm) / (Inch)	Phase (Ø)	Motor (Volt)	Frequency (Hz)	Current (Amp)	Power (kW)
NS300A	300 / 12	1	220	50	1.77	0.39

Capacity

Model	Cutting Capacity (mm)	Carriage Movement (mm)	Max Slice Thickness (mm)	Slices Per Min
NS300A	● 215 □ 220 x 185	290	14	Min 35 – Max 58

Dimensions | Shipping Information

Model	Overall Dimensions D x W x H (mm)	Net Weight (kg)	Packed Dimensions D x W x H (mm)	Packed Weight (kg)	Volume (m3)
NS300A	665 x 980 x 850	46	600 x 710 x 620	54	0.264

We reserve the right to alter the specification and technical details for this item at any time without prior notice.

3/2021

Metcalfe Catering Equipment Ltd
 Haygarth Park
 Blaenau Ffestiniog
 Gwynedd, LL41 3PF

