



**Model**

NS350A

**Product Description**

Slicer, 350mm / 14", Automatic, Heavy Duty

**Product Code**

5S515N



**Standard Features**

- Automatic slicer designed to cut large quantities of food. Suited to large restaurants, supermarkets, delis, butchers and central production kitchens / canteens, where high volume of meat types is required, and precise control of the automatic slicing feature is necessary
- Two independent motors (one for blade and one for carriage movement)
- Can be used as a fully automatic slicer or switches to manual
- Simple, intuitive touch control panels allow for the selection of multiple slicing options
- Optional slice counter available
- Hollow ground chromed carbon steel blade
- Easy set thickness control allows for precision slicing
- Made from high polished, anodised food grade aluminium for durability and hygiene
- Large base to ensure slicer has a large capacity to cope with large products
- Ergonomic design with smooth rounded edges to allow for fast and easy cleaning and improved levels of hygiene
- Fully interlocked and safe guarded for full compliance of CE legislation. This ensures all-round blade protection for the ultimate user safety during cleaning
- Built-in, self-aligning sharpening and de-burring unit
- Table / carriage, blade cover, blade and sharpening unit are detachable for easy, safe cleaning
- Optional voltages and frequencies available on request
- CE Approved

**Standard Accessories**

- 1 x Knife Remover
- 1 x Flat Head Screwdriver
- 1 x Tasteless Oil

**Warranty**

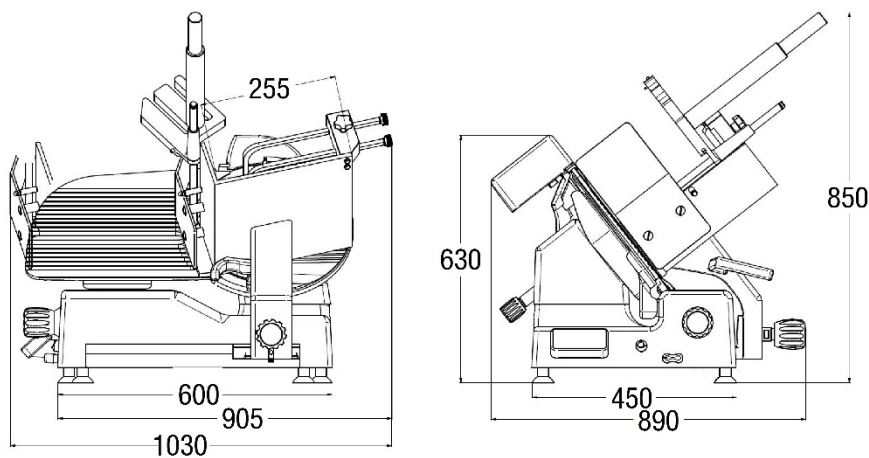
Covered by Metcalfe 2-year warranty (1<sup>st</sup> year parts and labour, 2<sup>nd</sup> year parts only) and full after sales service

**Optional Accessories**

Item
Stainless Steel Knife Remover
Stainless Steel Guard
Aluminium Knobs
Plastic Cover – Medium
Serrated Blade

Item
Slice Counter
Painting Customisation
Vegetable Cutting Tube
Teflon Coated Parts (Blade Cover, Gauge Plate, Blade)

## Drawing



## Specifications

Model	Blade (mm) / (Inch)	Phase (Ø)	Motor (Volt)	Frequency (Hz)	Current (Amp)	Power (kW)
NS350A	350 / 14	1	220	50	2.59	0.57

## Capacity

Model	Cutting Capacity (mm)	Carriage Movement (mm)	Max Slice Thickness (mm)	Slices Per Min
NS350A	● 260 □ 210 x 275	365	20	Min 25 – Max 86

## Dimensions | Shipping Information

Model	Overall Dimensions D x W x H (mm)	Net Weight (kg)	Packed Dimensions D x W x H (mm)	Packed Weight (kg)	Volume (m3)
NS350A	890 x 1030 x 850	50	720 x 840 x 760	57	0.46

We reserve the right to alter the specification and technical details for this item at any time without prior notice.

3/2021

**Metcalfe Catering Equipment Ltd**

Haygarth Park

Blaenau Ffestiniog

Gwynedd, LL41 3PF

