



Model

NSV350

Product Description

Slicer, 350mm, Vertical, Medium Duty

Product Code

5S519N



Standard Features

- High quality, vertical slicer
- Designed for light to medium duty usage. Ideally suited to smaller shops, delis, cafes, restaurants and small school kitchens
- Large product support surface and high side walls are ideal for slicing fresh meat and ham
- Ideal for precision slicing and delicate meats
- Hollow ground chromed carbon steel blade
- Powerful twin poly 'V' belt driven transmission gives a smooth cutting action and silent running
- Easy set thickness control allows for precision slicing
- Built-in sharpening unit
- Carriage slides on ball bearings for smooth carriage glide
- Anodised aluminium body is hygienic and durable
- Entirely detachable for easy cleaning
- Optional voltages and frequencies available on request
- CE Approved

Standard Accessories

- 1 x Knife Remover
- 1 x Flat Head Screwdriver
- 1 x Tasteless Oil

Warranty

Covered by Metcalfe 2-year warranty (1st year parts and labour, 2nd year parts only) and full after sales service

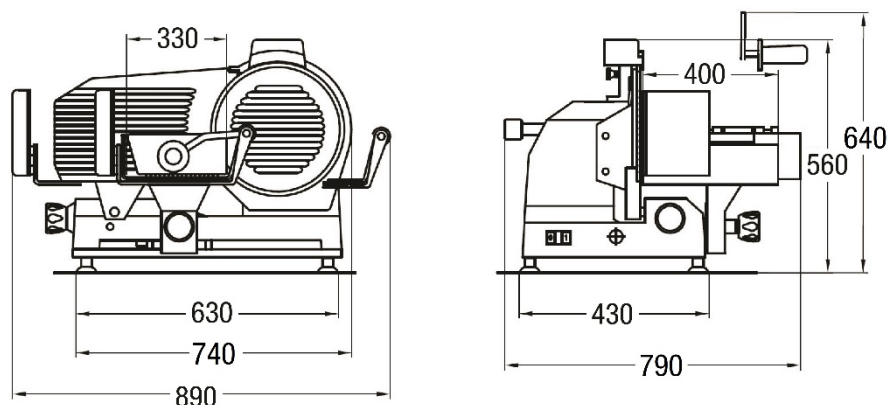
Optional Accessories

Item
Stainless Steel Knife Remover
Aluminium Knobs
Plastic Cover – Medium

Item
Stainless Steel Guard
Special Arm (Protected)
Serrated Blade

Item
Painting Customisation
Teflon Coated Parts (Blade Cover, Gauge Plate, Blade)

Drawing



Specifications

Model	Blade (mm) / (Inch)	Phase (Ø)	Motor (Volt)	Frequency (Hz)	Current (Amp)	Power (kW)
NSV350	350 / 14	1	220	50	1.68	0.370

Capacity

Model	Cutting Capacity (mm)	Carriage Movement (mm)	Max Slice Thickness (mm)
NSV350	● 265 □ 330 x 265	365	16

Dimensions | Shipping Information

Model	Overall Dimensions D x W x H (mm)	Net Weight (kg)	Packed Dimensions D x W x H (mm)	Packed Weight (kg)	Volume (m3)
NSV350	790 x 890 x 640	47	720 x 840 x 760	55	0.46

We reserve the right to alter the specification and technical details for this item at any time without prior notice.

3/2021

Metcalfe Catering Equipment Ltd

Haygarth Park

Blaenau Ffestiniog

Gwynedd, LL41 3PF

