

# Features

## **Modular Color-Coded Blade Cartridges**

Modular blade sets offer maximum slicing capabilities eliminating additional slicing equipment

## **Easy to Clean**

All-in-one design safely minimize cleaning time to one piece of equipment and blade cartridge

## **Integrated Handles**

Integrated handles safely give operators a firm grip away from the blades during operation and cleaning

## **Full Size Pan Capacity**

Large landing zone fits full size pans minimizing food contamination

## **Anti-Slip Rubber Base**

Anti-Slip rubber feet help stabilize equipment limiting movement during operation

## **Blue Guided Touch Points and Safeguard Latch**

Blue color-coded touch points and dual action safeguard latch help protect operators from blades when slicing

## **Patented Blade Protectors**

Patented blade protectors and housing keep sharp blades contained and operators safe

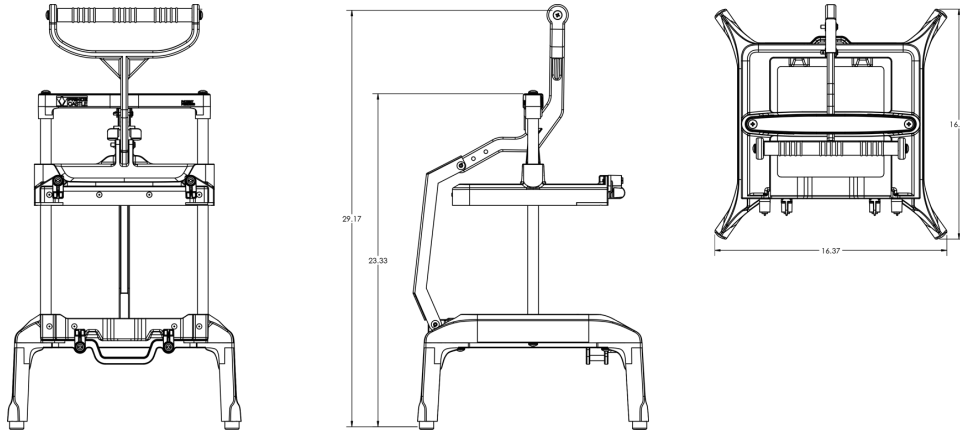
## **Cast Aluminum Construction**

Sturdy cast aluminum construction

## **Warranty**

1-Year parts and labor (Not including blade/pusher cartridge) Blade/Pusher cartridge warranted to be free of defects at the time of delivery





### Technical Specifications

<b>Product Category</b>	Slicers
<b>Product Dimensions</b>	16.4"W x 23.3"H x 16.2"D (Closed) 16.4"W x 29.2"H x 16.2"D (Open)
<b>Weight</b>	Unit: 18lbs (8.2 kg) Shipping: 21lbs (9.5 kg)
<b>Exterior Construction</b>	Aluminum construction with anti-slip rubber base
<b>Warranty</b>	1-Year: Parts & Labor <i>Blade/Pusher cartridge warranted to be free of defects at the time of delivery.</i>
<b>Accessories</b>	Saber King Cleaning Kit, Cleaning Brush, Storage Hook, Saber King Onion Pusher Cleaning Tool Kit
<b>Agency Listing</b>	ETL/Intertek Conforms to ANSI/NSF 7 Conforms to ANSI/UL STD 471 Certified to CAN/CSA STD C22.2 No.120

### Model Numbers

Model Number	Description
<b>980-000-00</b>	Saber King Chassis

### Accessories

Model Number	Description
<b>980-000-02</b>	Saber King Cleaning Kit
<b>980-000-06</b>	Saber King Onion Pusher Cleaning Tool Kit
<b>980-043</b>	Saber King Brush (white/white)
<b>980-310</b>	Saber King Blade Storage Hook

### Blade Cartridges

Model Number	Description	Model Number	Description	Model Number	Description
<b>980-000-10A</b>	3/16" Tomato Set (4 Tomatoes)	<b>980-000-33A</b>	2"x1" Lettuce Chop Set (Full Head)	<b>980-000-60A</b>	Wedge Set (4 Section)
<b>980-000-10B</b>	3/16" Tomato Replacement Blade (4 Tomatoes)	<b>980-000-33B</b>	2"x1" Lettuce Chop Replacement Blade (Full Head)	<b>980-000-60B</b>	Wedge Replacement Blade (4 Section)
<b>980-000-10C</b>	3/16" Tomato Pusher Head (4 Tomatoes)	<b>980-000-33C</b>	2"x1" Lettuce Chop Pusher (Full Head)	<b>980-000-60C</b>	Wedge Pusher Head (4 Section)
<b>980-000-12A</b>	1/4" Tomato Set (4 Tomatoes)	<b>980-000-44A</b>	5/16" Lettuce Shredder Set	<b>980-000-61A</b>	Wedge Set (6 Section)
<b>980-000-12B</b>	1/4" Tomato Replacement Blade (4 Tomatoes)	<b>980-000-44B</b>	5/16" Lettuce Shredder Replacement Blade	<b>980-000-61B</b>	Wedge Replacement Blade (6 Section)
<b>980-000-12C</b>	1/4" Tomato Pusher Head (4 Tomatoes)	<b>980-000-44C</b>	5/16" Lettuce Shredder Pusher Head	<b>980-000-61C</b>	Wedge Pusher Head (6 Section)
<b>980-000-20A</b>	3/16" Universal Set	<b>980-000-50A</b>	1/4" Dicer Set	<b>980-000-62A</b>	Wedge Set (8 Section)
<b>980-000-20B</b>	3/16" Universal Replacement Blade	<b>980-000-50B</b>	1/4" Dicer Replacement Blade	<b>980-000-62B</b>	Wedge Replacement Blade (8 Section)
<b>980-000-20C</b>	3/16" Universal Pusher Head	<b>980-000-50C</b>	1/4" Dicer Pusher Head Set	<b>980-000-62C</b>	Wedge Pusher Head (8 Section)
<b>980-000-22A</b>	1/4" Universal Set	<b>980-000-51A</b>	3/8" Dicer Set	<b>980-000-65A</b>	Wedge Set (Halfer)
<b>980-000-22B</b>	1/4" Universal Replacement Blade	<b>980-000-51B</b>	3/8" Dicer Replacement Blade	<b>980-000-65B</b>	Wedge Replacement Blade (Halfer)
<b>980-000-22C</b>	1/4" Universal Pusher Head	<b>980-000-51C</b>	3/8" Dicer Pusher Head	<b>980-000-65C</b>	Wedge Pusher Head (Halfer)
<b>980-000-32A</b>	1"x1" Lettuce Chop Set (Full Head)	<b>980-000-52A</b>	1/2" Dicer Set		
<b>980-000-32B</b>	1"x1" Lettuce Chop Replacement Blade (Full Head)	<b>980-000-52B</b>	1/2" Dicer Replacement Blade		
<b>980-000-32C</b>	1"x1" Lettuce Chop Pusher (Full Head)	<b>980-000-52C</b>	1/2" Dicer Pusher Head		

*Note: All Model Numbers listed as "Set" include a Replacement Blade and Pusher Head for the Saber King*

To learn more and see **Saber King** in action, visit [saberking.com](http://saberking.com)  
 To contact a Saber King expert today, go to [saberking.com/contact/](http://saberking.com/contact/)