



solo per professionisti

Sirman Spa  
 Viale dell'Industria 9/11  
 35010 PIEVE DI CURTAROLO (PD), Italy  
 Tel./Fax. +39 049 9698666 / +39 049 9698688  
 email: info@sirman.com



Sirman Slicers , model Mantegna 300 BS :

- Innovative rounded design and no sharp edges or visible screws
- Chrome plated ground and lapped slide rod
- Lapped cast iron slide rod bushing
- Vulcanised rubber stops on carriage
- Removable support cover for thickness gauge plate
- Stainless steel slice deflector with snap-on bayonet fitting
- Stainless steel screws and fittings
- Bottom cover for accessing electrical components
- Built-in sharpening tool with bottom protection
- Easy to remove grease guard mounted along the thickness gauge plate
- Standard blade removal tool
- Plastic knobs
- Rubber feet
- Buttons in insulated stainless steel (IP 67) in housing.



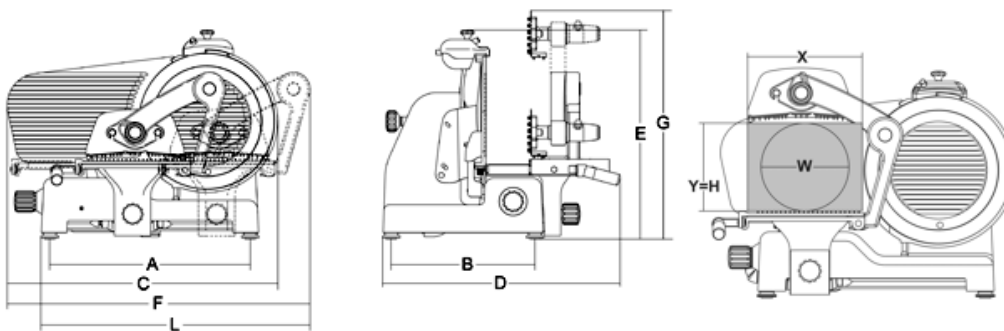
Removable food pusher BS1



Incorporated sharpener



Data sheet



Technical data

Model	MANTEGNA 300 BS
ø blade	watt 275 - Hp 0,37
Motor	mm 300 - inch. 12
Cut of thickness	mm 29
Run of carriage	mm 310
Hopper	mm 300x270
A	mm 468
B	mm 338
C	mm 635
D	mm 600
E	mm 500
F	mm 750
G	mm 695
L	mm 650
X	mm 270
Y	mm 230
H	mm 230
W	mm 230
Net weight	kg 36,5
Shipping	mm 870x840x750

Gross weight	kg 51,5
HS-CODE	84385000