

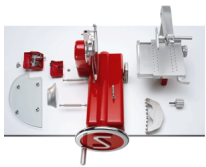


Sirman Spa
 Viale dell'Industria 9/11
 35010 PIEVE DI CURTAROLO (PD), Italy
 Tel./Fax. +39 049 9698666 / +39 049 9698688
 email: info@sirman.com



Sirman Slicers , model Anniversario 300 :

- 300 mm (12") blade Flywheel slicer.
- Polished and painted aluminum construction.
- Featuring stainless steel and silver anodized aluminum details.
- Patented motion system with no visible mechanical parts.
- Table featuring a lateral movement with a double articulating arm BS1 to firmly hold and smoothly slide the produce through.
- Removable carriage for ease of cleaning.
- Simple, yet stylish Italian design, rounded for ease of cleaning.
- The only one featuring a removable carriage.
- Easy to clean and disassemble without tools.



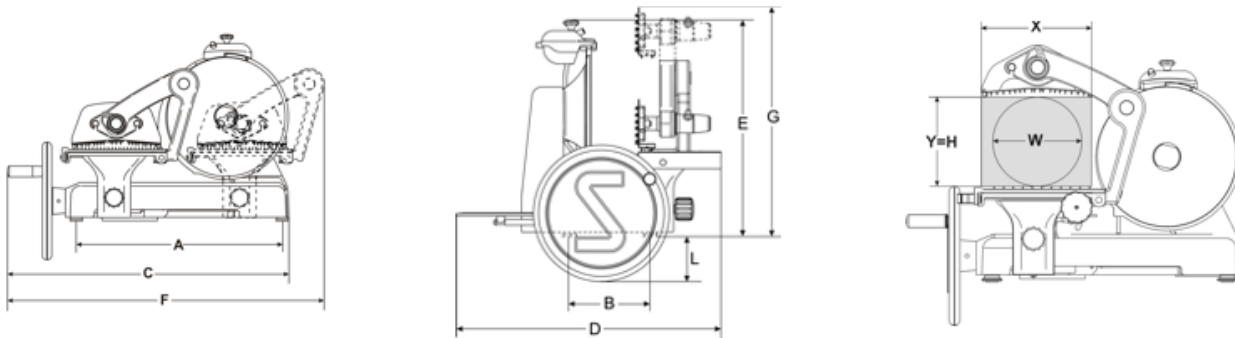
Optional red stand



Optional black stand



Data sheet



Technical data

Model	ANNIVERSARIO 300
ø blade	mm 300 - inch. 12
Cut thickness	mm 3
Run of carriage	mm 285
Hopper	mm 270x295
A	mm 520
B	mm 180
C	mm 770
D	mm 625
E	mm 510
F	mm 855
G	mm 590
L	mm 90
X	mm 270
Y	mm 200
H	mm 200
W	mm 200
Net weight	kg 60
Shipping	mm 960x920x860
Net weight	kg 78

HS-CODE	84385000
---------	----------