



Sirman Spa
 Viale dell'Industria 9/11
 35010 PIEVE DI CURTAROLO (PD), Italy
 Tel./Fax. +39 049 9698666 / +39 049 9698688
 email: info@sirman.com

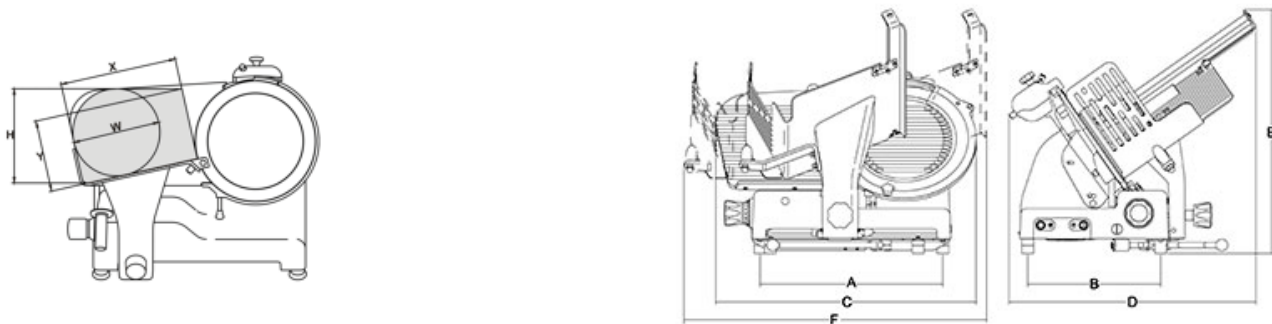


Sirman Slicers , model Palladio 330 Evo :

- Round outline with no sharp corners or screws in open view.
- Special configuration of the base and slicer table to prevent chips and liquids from entering the critical devices of the machine (buttons, turn knob, etc.).
- Hi-tech tipping system and feeding pan disassembly.
- Sliding pin, chrome-plated and precision-grounded.
- Permanently lubricated carriage ball bearings.
- Rubber pads on carriage in vulcanized rubber.
- Removable table cover.
- Slice deflector in stainless steel with bayonet coupling.
- All nuts and screws are in stainless steel.
- New blade pulley without centre hole to facilitate cleaning.
- New sealing gasket on pulley.
- Blade and head set 49 mm apart.
- Bottom cover.
- Commutable electronic board 110-220-380 V single and three-phase.
- Sharpener with bottom protective tray:
- Adjustable slicer table movement, guarantees higher cutting precision of thin slices.
- Safety ring on table shaft to prevent liquids from seeping inside the machine.
- Blade tilting angle: 35°.
- Buttons in insulated stainless steel (IP 67) in housing.
- Optional lever to facilitate cleaning.



Data sheet



Technical data

Model	Palladio 330 EVO
ø blade	mm 330 - inch.13
Motor	watt 275 - Hp 0,37
Cut Thickness	mm 23
Run of carriage	mm 310
Hopper	mm 350x290
A	mm 465
B	mm 340
C	mm 660
D	mm 630
E	mm 620
F	mm 730
X	mm 270
Y	mm 165
H	mm 260
W	mm 225
Net weight	kg 40

Shipping	mm 870x840x750
Gross weight	kg 55
HS-CODE	84385000