



solo per professionisti

Sirman Spa
Viale dell'Industria 9/11
35010 PIEVE DI CURTAROLO (PD), Italy
Tel./Fax. +39 049 9698666 / +39 049 9698688
email: info@sirman.com

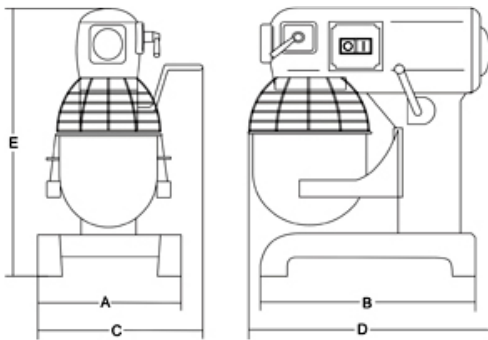


Sirman Planetary Mixers , model Plutone 20 :

- Machine body made from large thickness powder coated steel
- bowl protection made from metal wire
- easy to remove bowl made from stainless steel 304
- safety microswitches for the lid and the bowl
- 3 easy to remove metal tools: aluminium spatula and hook, steel and aluminium whisk
- 3 speed gear
- steel gear box
- ventilated motor



Data sheet



Technical data

Model	Plutone 20
Power	watt 1100
Power source	1ph
Whisk revolutions	1 = 97 2 = 220 3 = 316
Bowl capacity	lt 20
Bowl dimensions	mm \varnothing 320 x 300
A	mm 420
B	mm 440
C	mm 515
D	mm 560
E	mm 770
Net weight	kg 83
Shipping	mm 570x630x920
Gross weight	kg 105
HS-CODE	84381090

