



Sirman Spa
 Viale dell'Industria 9/11
 35010 PIEVE DI CURTAROLO (PD), Italy
 Tel./Fax. +39 049 9698666 / +39 049 9698688
 email: info@sirman.com

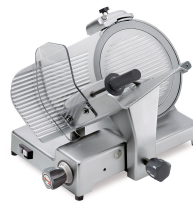


Sirman Slicers , model Canova 300 :

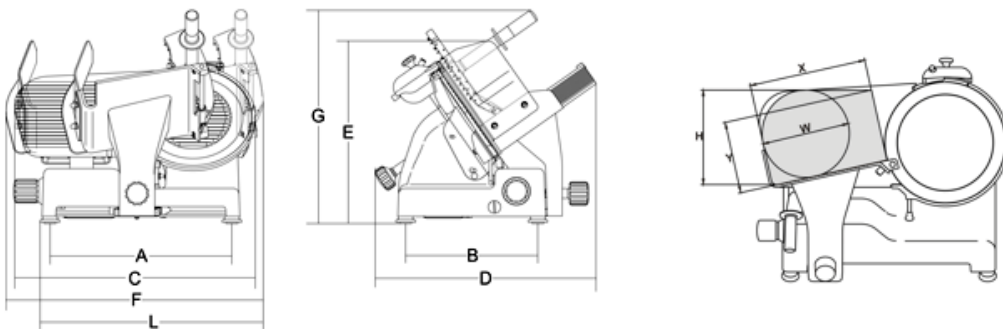
- Rounded design and no sharp edges and visible screws.
- Chrome plated and ground slide rod.
- Self lubricating slide rod bushings.
- Vulcanized rubber stops on carriage.
- Removable support cover for thickness gauge plate.
- Stainless steel slice deflector with bayonet fitting
- Stainless steel screws and fittings.
- Enclosed and sealed belt pulley.
- 41 mm distance between blade and motor.
- Bottom cover.
- Changeover electronic circuit 110-220-380 V single and three phase.
- Built in sharpening tool with bottom protection.
- Standard blade removal tool.
- 38° blade inclination.
- Plastic knob.
- Rubber feet.
- Switch with IP44 protection rating.



Remarkable clearance between blade and machine body



Data sheet



Technical data

Model	CANOVA 300
ø blade	mm 300 - inch. 12
Motor	watt 210 - Hp 0,29
Cut thickness	mm 19
Run of carriage	mm 275
Hopper	mm 250x275
A	mm 428
B	mm 290
C	mm 590
D	mm 495
E	mm 355
F	mm 640
G	mm 495
L	mm 515
X	mm 260
Y	mm 175
H	mm 223
W	mm 207
Net weight	kg 26.5
Shipping	mm 800x600x520

Gross weight	kg 29
HS-CODE	84385000