



solo per professionisti

Sirman Spa
 Viale dell'Industria 9/11
 35010 PIEVE DI CURTAROLO (PD), Italy
 Tel./Fax. +39 049 9698666 / +39 049 9698688
 email: info@sirman.com



Sirman Planetary Mixers , model Plutone 40 :

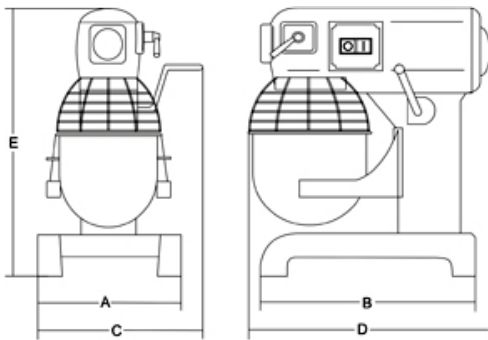
- Machine body made from large thickness powder coated steel
- bowl protection made from metal wire
- easy to remove bowl made from stainless steel 304
- safety microswitches for the lid and the bowl
- 3 easy to remove metal tools: aluminium spatula and hook, steel and aluminium whisk
- 3 speed gear
- steel gear box
- ventilated motor
- control with speed control
- PTO.



Standard s/steel accessory



Data sheet



Technical data

Model	Plutone 40
Power	watt 2200
Power source	3ph
Whisk revolutions	1 = 99 2 = 221 3 = 307
Bowl capacity	lt 40
Bowl dimensions	mm ? 400 x 380
A	mm 670
B	mm 784
C	mm 707
D	mm 698
E	mm 1316
Net weight	kg 223
Shipping	mm 860x790x1500
Gross weight	kg 267
HS-CODE	85094000

